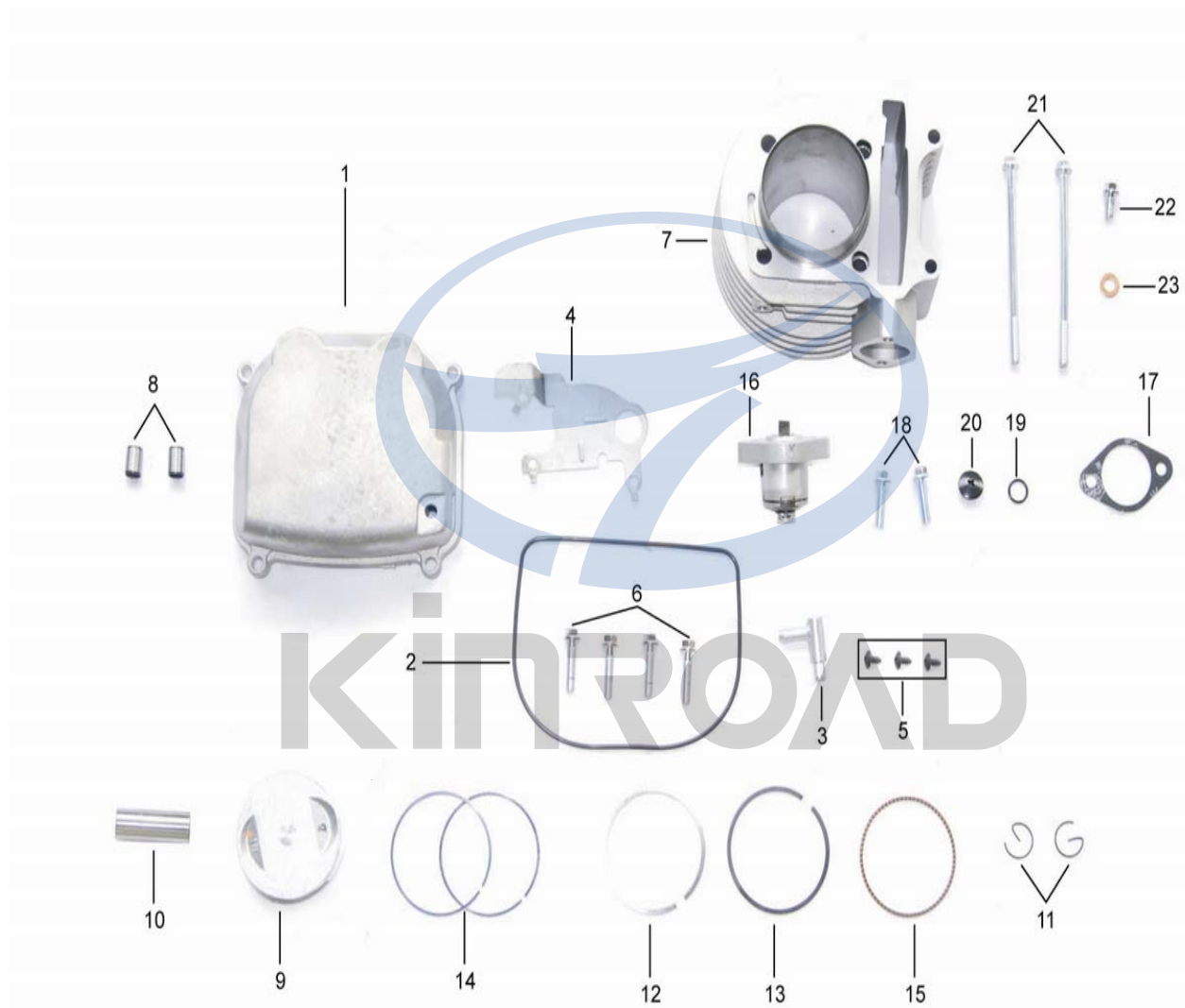


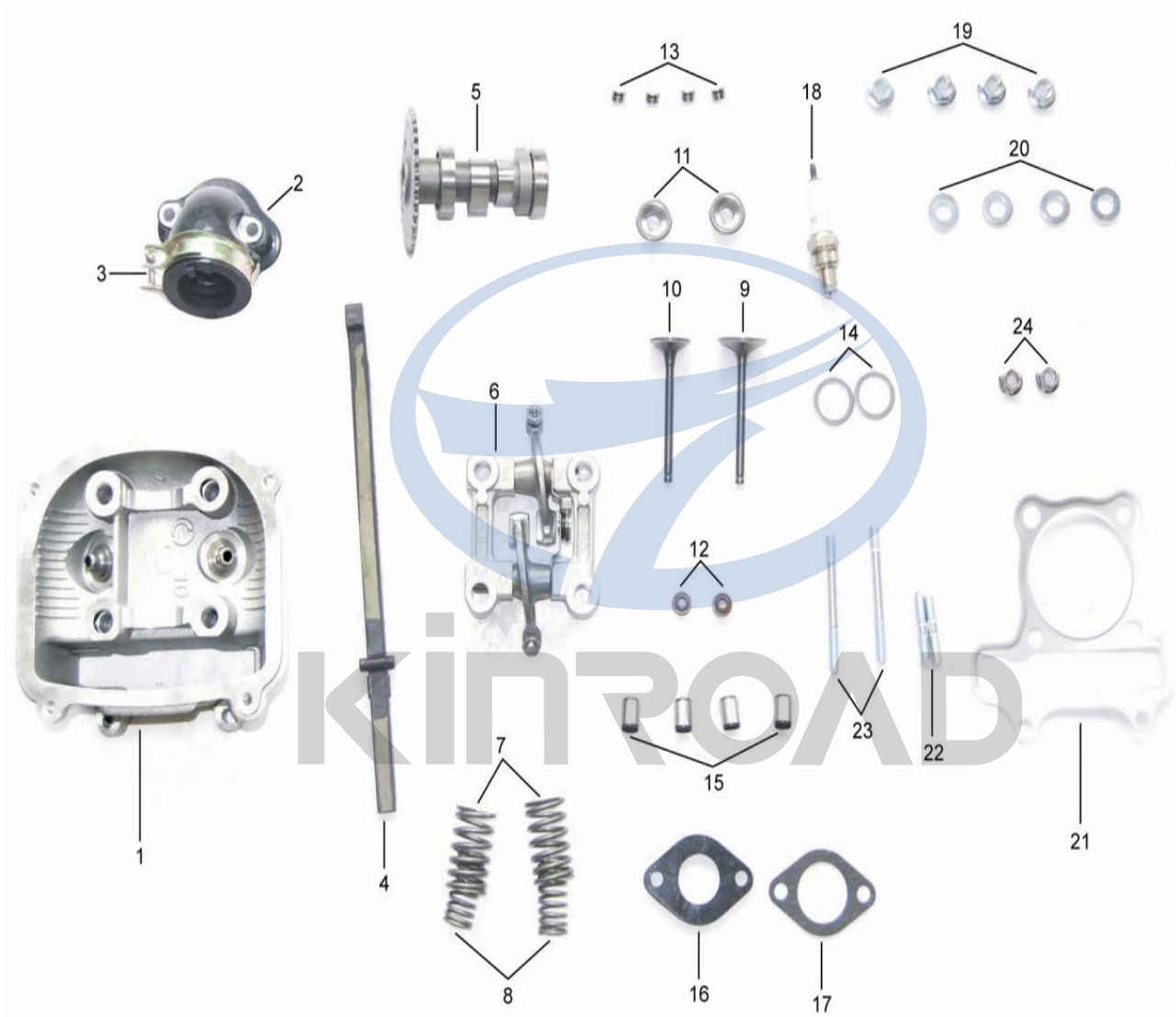
XT150GK-9 ENGINE



XT150GK-9 ENGINE

NO.	Part No.	Description	Description in English	数量Qty	备注Remark
1	157QMJ-010001	缸头盖	Cover Comp Cylinder Head	1	
2	157QMJ-010002	缸头盖密封圈	Gasket Head Cover	1	
3	157QMJ-010003	通气管接头	connection, tube breather	1	
4	157QMJ-010004	挡油压板	plate , ward	1	
5	157QMJ-010005	圆头十字M4×8	Cross round screwsM4×8	3	
6	157QMJ-010015	六角法兰M6×25	Blot FlangeM6×25	4	
7	157QMJ-010006	缸体	Cylinder	1	
8	157QMJ-010019	定位销10×14	Pin Dowel 10×14	2	
9	157QMJ-010008	活塞	Piston	1	
10	157QMJ-010009	活塞销	Pin Piston	1	
11	157QMJ-010010	卡簧	CIRCLIP	2	
12	157QMJ-010011	一道环	RING I	1	
13	157QMJ-010012	二道环	RING II	1	
14	157QMJ-010013	刮油环	wiper ring	2	
15	157QMJ-010014	油环	OIL RING	1	
16	157QMJ-010016	涨紧器	Chain Adjuster	1	
17	157QMJ-010017	涨紧器垫片	Gasket Cam Chain Adjuster	1	
18	157QMJ-010018	六角法兰M6×22	Blot Flange	1	
19	157QMJ-010023	涨紧器"0"环9.5×1.5	"0"ring 9.5×1.5,Chain Adjuster	1	
20	157QMJ-010022	圆头十字M6×6	Cross recessed round screwsM4×8	1	
21	157QMJ-010021	六角法兰M6×100	Blot Flange	2	
22	157QMJ-010024	六角法兰M6×12	Blot Flange	1	
23	157QMJ-010020	铜垫6.5×12.5×1.0	STEEL WASHER6.5×12.5×1.0	1	

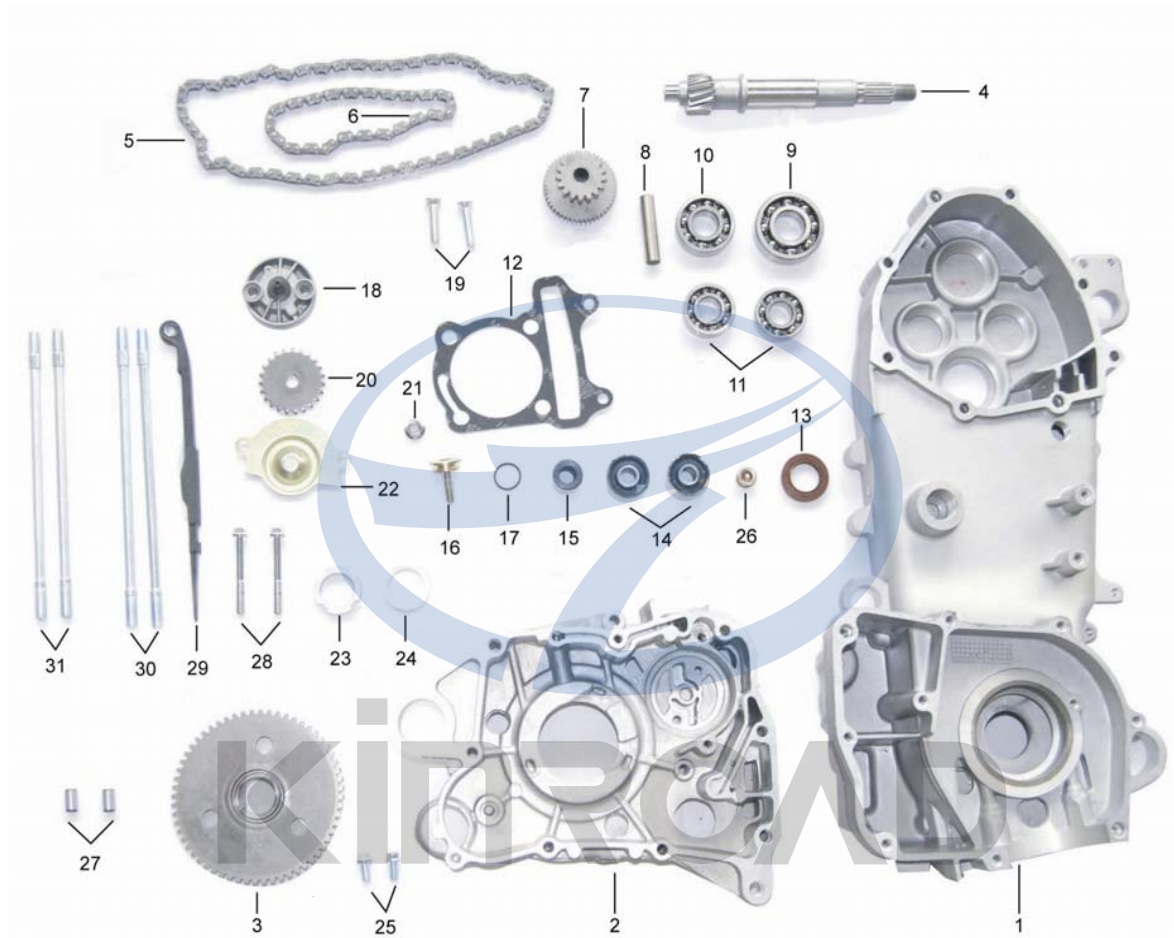
XT150GK-9 ENGINE



XT150GK-9 ENGINE

NO.	Part No.	Description	Description in English	数量Qty	备注Remark
1	157QMJ-020001	气缸头	Cylinder Head	1	
2	157QMJ-020014	化油器进气管	Pipe Comp In, CARBURETOR	1	
3	157QMJ-020023	卡箍	Clip Tube	1	
4	157QMJ-010025	正时链条导向杆	Guide Cam Chain	1	
5	157QMJ-020013	凸轮轴	Shaft Comp Cam	1	
6	157QMJ-020012	凸轮轴摇臂固定座	Arm Rocker, Holder Cam	1	
7	157QMJ-020009	气门外弹簧	Spr Valve Outer	2	
8	157QMJ-020010	气门内弹簧	Spr Valve Inner	2	
9	157QMJ-020003	进气门	Valve Inlet	1	
10	157QMJ-020004	排气门	Valve Exhaust	1	
11	157QMJ-020006	承盘	Retainer Valve Spr	2	
12	157QMJ-020005	气门油封	Seal Valve Stem	2	
13	157QMJ-020008	锁扣	Cotter Valve	4	
14	157QMJ-020007	气内弹簧垫片	washer Valve Inner	2	
15	157QMJ-020020	定位销10×14	Pin Dowel 10×14	4	
16	157QMJ-020016	胶木垫	Bakelite pad	1	
17	157QMJ-020017	胶木垫垫片	WASHER, Bakelite pad	1	
18	157QMJ-020011	火花塞	Plug Spark	1	
19	157QMJ-020019	六角带垫螺母M8	Bolt Flange with casher M8	4	
20	157QMJ-020018	垫片8.2×18.0×2.0	washer8.2×18.0×2.0	4	
21	157QMJ-020002	气缸头垫片	washer, Cylinder Head	1	
22	157QMJ-020021	双头螺丝M6×32	Bolt Stud 8*40	1	
23	157QMJ-020022	双头螺丝M6×64	Bolt Stud 8*40	2	
24	157QMJ-020015	六角带垫螺母M6	NUT M6	2	

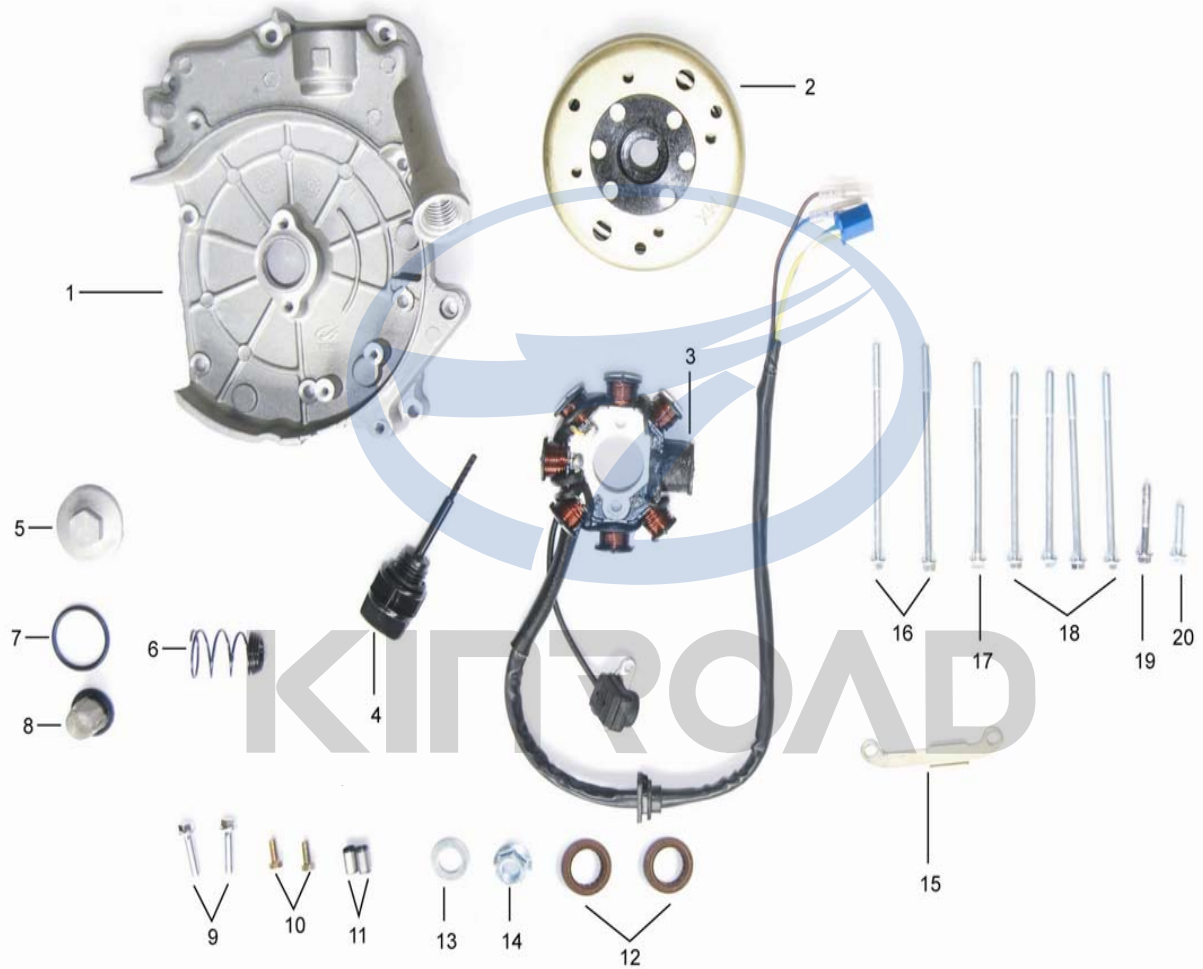
XT150GK-9 ENGINE



XT150GK-9 ENGINE

NO.	Part No.	Description	Description in English	数量Qty	备注Remark
1	157QMJ-030001-P	左体	Crank Case Assy L	1	
2	157QMJ-040001	右体	Crank Case Assy R	1	
3	157QMJ-040003	超越离合器总成	Exceed Clutch	1	
4	157QMJ-030004-P	驱动轴	DRIVE SHAFT	1	
5	157QMJ-030005	正时链条	Chain Cam	1	
6	157QMJ-040008	机油泵链条	Chain Oil Pump Driven	1	
7	157QMJ-040004	双联齿	GEAR, Double-tooth	1	
8	157QMJ-040005	双联齿轴	GEAR, Double-tooth	1	
9	157QMJ-060004	轴承6204	BEARING 6204	1	
10	157QMJ-060005	轴承6203	BEARING 6203	1	
11	157QMJ-060006	轴承6202	BEARING 6202	2	
12	157QMJ-010007	缸体垫片	WASHER, Cylinder	1	
13	157QMJ-060007	油封20×32×6	OIL SEAL20×32×6	1	
14	157QMJ-030021	衬套(大)	BUSH(BIG)	2	
15	157QMJ-030015-P	铁衬套20×10.5×19	IRON BUSH20×10.5×19	1	
16	157QMJ-030022	张紧器平头内六角螺丝M6×21.	Chain Adjuster BOLT, HEX IN M6×21.5	1	
17	157QMJ-030023	“0”环15.2×1.5	“0” RING 15.2×1.5	1	
18	157QMJ-040006	机油泵	Oil Pump	1	
19	157QMJ-040007	机油泵平头十字螺丝M6×30	Bolt, Oil Pump plate M6×30	2	
20	157QMJ-040009	机油泵链轮	sprocket wheel, Oil Pump	1	
21	157QMJ-040012	六角带垫螺母M6	Blot Flange with washer	1	
22	157QMJ-040010	机油泵压板	PLATE, OIL PUMP	1	
23	157QMJ-040016	四爪螺母M21×6	NUT M21×6	1	
24	157QMJ-040017	垫片22.2×31.0×2.2	WASHER, 22.2×31.0×2.2	1	
25	157QMJ-040012	六角法兰M6×12	Blot Flange M6×12	2	
26	157QMJ-030026-P	(左体缸头)内六角特殊M14×1	(Crank Case L) Bolt Special FlangeM14×10	1	
27	157QMJ-040014	定位销8×14	Pin Dowel 8×14	2	
28	157QMJ-040013	合箱六角法兰M6×50	Blot Flange M6×50	2	
29	157QMJ-030006	涨紧条	Chain Adjuster	1	
30	157QMJ-030025	双头螺丝M8×195.5	Bolt Stud 8*40	2	
31	157QMJ-040018	双头螺丝M8×187.5	Bolt Stud 8*40	2	

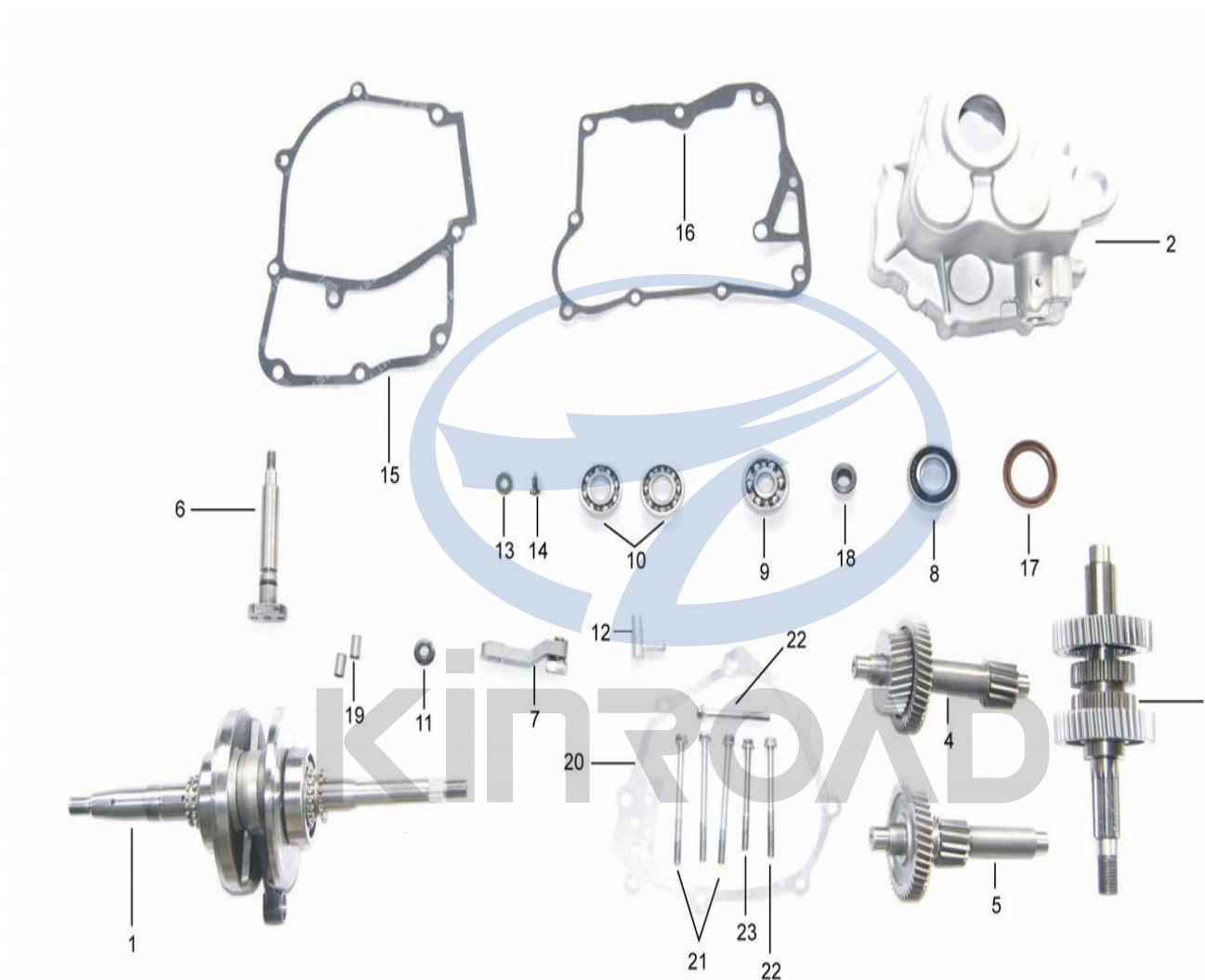
XT150GK-9 ENGINE



XT150GK-9 ENGINE

NO.	Part No.	Description	Description in English	数量Qty	备注Remark
1	157QMJ-050001	右盖	COVER R	1	
2	157QMJ-050012	磁电机转子	ROTOR, A. C. G Fltwheel	1	
3	157QMJ-050013	磁电机定子	Stator Comp, A. C. G Fltwheel	1	
4	157QMJ-050011	机油尺	Guage Oil Level	1	
5	157QMJ-050004	机油滤网盖	COVER, Oil Filter	1	
6	157QMJ-050005	机油滤网弹簧	SPRING, Oil Filter	1	
7	157QMJ-050006	“O”环29.5×3	“O” RING 29.5×3	1	
8	157QMJ-050007	机油滤网	Oil Filter	2	
9	157QMJ-050016	六角法兰M6×28	Blot FlangeM6×28	2	
10	157QMJ-050017	六角M5×12	Blot FlangeM5×12	2	
11	157QMJ-050003	定位销8×14	Pin Dowel 8×14	2	
12	157QMJ-050008	油封19.8×30×5	OIL SEAL 19.8×30×5	2	
13	157QMJ-050009	钢垫13.5×24.0×2.0	STEEL BUSH 13.5×24.0×2.0	1	
14	157QMJ-050010	六角带垫螺母M12	Blot Flange with washer M12	1	
15	157QMJ-050023	线圈线夹	Clamper	1	
16	157QMJ-050022	六角法兰M6×110	Blot FlangeM6×110	2	
17	157QMJ-050021	六角法兰M6×100	Blot FlangeM6×100	1	
18	157QMJ-050020	六角法兰M6×95	Blot FlangeM6×95	4	
19	157QMJ-050019	六角法兰M6×35	Blot FlangeM6×35	1	
20	157QMJ-050018	六角法兰M6×28	Blot FlangeM6×28	1	

XT150GK-9 ENGINE



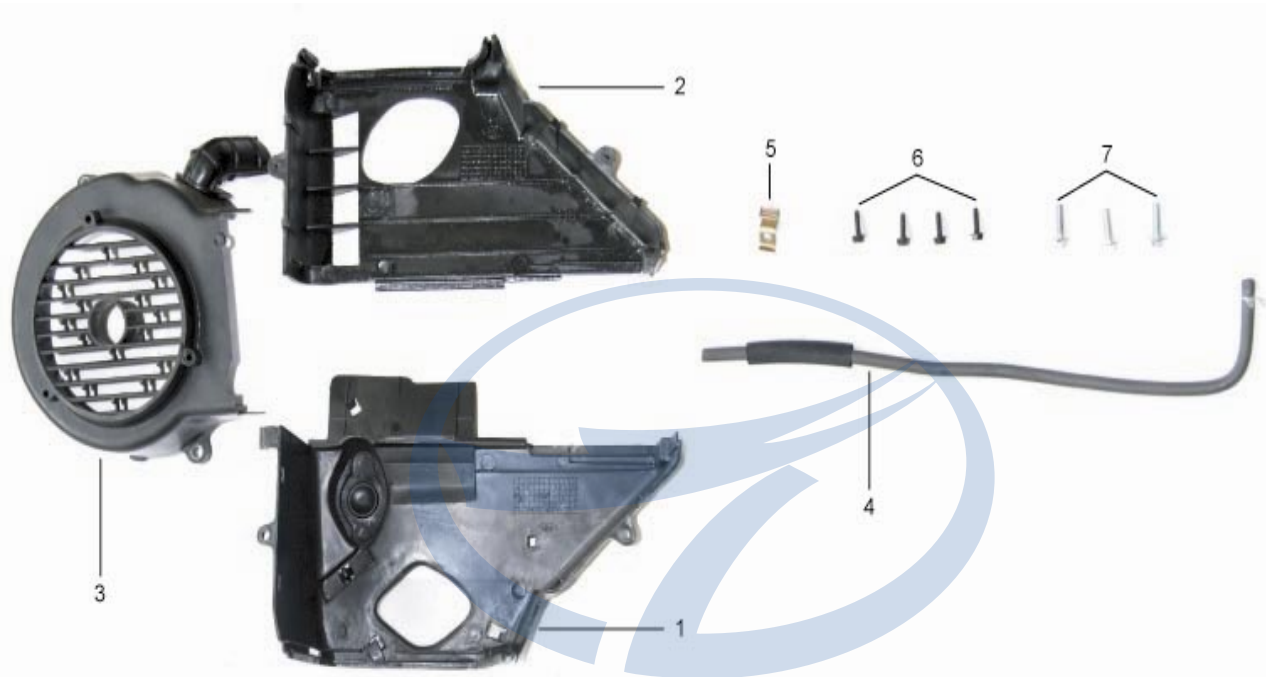
XT150GK-9 ENGINE

NO.	Part No.	Description	Description in English	数量Qty	备注Remark
1	157QMJ-040002	曲轴	Crankcase	1	
2	157QMJ-050002-P	齿轮箱盖	Cover Comp Mission	1	
3	157QMJ-050003-P	输出齿轮总成	GEAR, OUTPUT ASSY	1	
4	157QMJ-050004-P	二级中间齿轮	MIDDLE GEAR, II	1	
5	157QMJ-050005-P	一级中间齿轮	MIDDLE GEAR, PRIMARY	1	
6	157QMJ-050006-P	变档轴	GEAR SHIFTING	1	
7	157QMJ-050007-P	拨叉总成	FORK ASSY	1	
8	157QMJ-030018	轴承6004	BEARING6004	1	
9	157QMJ-030016	轴承6301	BEARING6301	1	
10	157QMJ-060006	轴承6202	BEARING6202	2	
11	157QMJ-050011-P	六角带垫螺母M8	Blot Flange with washer M8	1	
12	157QMJ-050012-P	通气管接头	CONNECTION, Tube Breather	1	
13	157QMJ-050013-P	垫片5.5×8.5×1.0	WASHER5.5×8.5×1.0	1	
14	157QMJ-050014-P	圆头十字特殊螺丝M5×12	STUD BOLT SPECIAL FlangeM5×12	1	
15	157QMJ-030002	曲轴箱垫片	Gasket Crankcase	1	
16	157QMJ-050002	右盖垫片	WASHER, COVER L	1	
17	157QMJ-050017-P	油封30×42×7	OIL SEAL30×42×7	1	
18	157QMJ-050018-P	铁套22×10.5×19	IRON BUSH 22×10.5×19	1	
19	157QMJ-040014	定位销8×14	Pin Dowel 8×14	2	
20	157QMJ-050020-P	齿轮箱盖垫片	Gasket Mission Cover	1	
21	157QMJ-070016	六角法兰M6×70	Blot Flange M6×70	3	
22	157QMJ-070017	六角法兰M6×65	Blot Flange M6×65	2	
23	157QMJ-040013	六角法兰M6×50	Blot Flange M6×50	1	

XT150GK-9 ENGINE

NO.	Part No.	Description	Description in English	数量Qty	备注Remark
1	157QMJ-070001	左大盖	BIG COVER L	1	
2	157QMJ-070002	左大盖垫片	COVER, BIG COVER L	1	
3	157QMJ-070005	从动轮	Plate Sub Assy Drive	1	
4	157QMJ-070006	主动轮	Drive Sprocket Assy.	1	
5	157QMJ-070006-1	主动轮叶盘	Drive Sprocket, Cvt Cooling	1	
6	157QMJ-070006-2	三爪盘	Three jaw chuck	1	
7	157QMJ-070007	滚珠	ball bearing	6	
8	157QMJ-070008	从动齿轮	GEAR, Plate Sub Assy Drive	1	
9	157QMJ-070004	起动轴总成	STARTER GEAR ASSY	1	
10	157QMJ-070003	皮带743×20×32	BELT 743×20×32	1	
11	157QMJ-050014	风扇叶轮	FAN Impeller	1	
12	157QMJ-050015	六角法兰M6×18	Blot Flange M6×18	4	
13	157QMJ-030003	马达	MOTOR	1	
14	157QMJ-070012	起动轴压板	Plate, STARTER SHIFT	1	
15	157QMJ-070013	六角法兰M6×14	Blot Flange M6×14	1	
16	157QMJ-030004	六角法兰M6×16	Blot Flange M6×16	2	
17	157QMJ-070015	六角法兰M6×100	Blot Flange M6×100	2	
18	157QMJ-070011	定位销8×14	Pin Dowel 8×14	2	
19	157QMJ-070010	六角带垫螺母M12	Blot Flange with washerM12	2	
20	157QMJ-070009	垫片13.0×24×2.0	WASHER13.0×24×2.0	2	
21	157QMJ-070014	六角法兰M6×40	Blot Flange M6×40	6	

XT150GK-9 ENGINE



NO.	Part No.	Description	Description in English	数量Qty	备注Remark
1	157QMJ-080001	A罩	COVER, A	1	
2	157QMJ-080002	B罩	COVER, B	1	
3	157QMJ-080004	风扇罩	COVER, FAN	1	
4	157QMJ-080005	通气管组件	PIPE, AIR	1	
5	157QMJ-080006	溢流管夹	Flooding CLIP, PIPE	1	
6	157QMJ-080007	自动螺丝M5×16	Self tapping screwM5×16	4	
7	157QMJ-080008	六角法兰M6×20	Blot Flange M6×20	3	