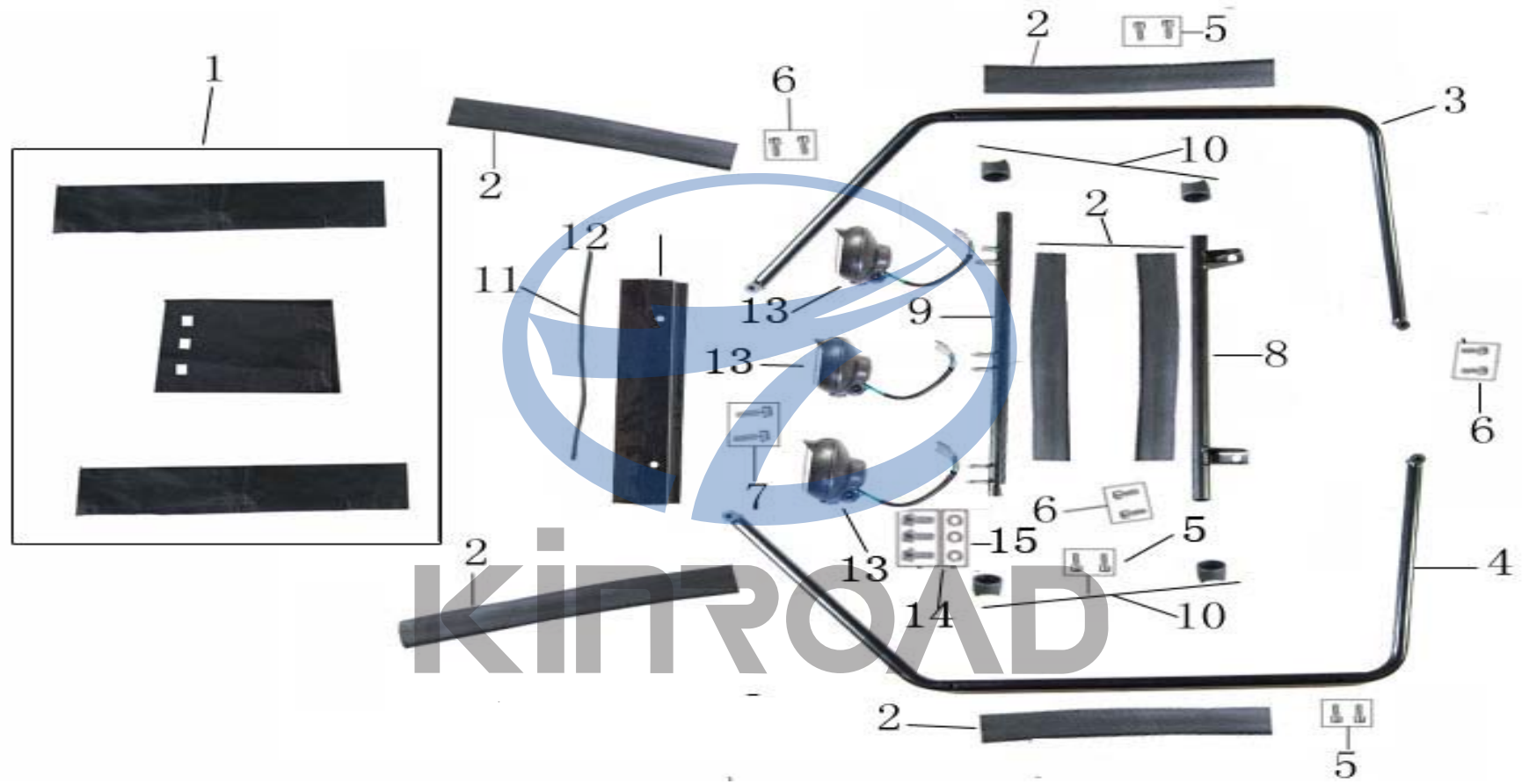


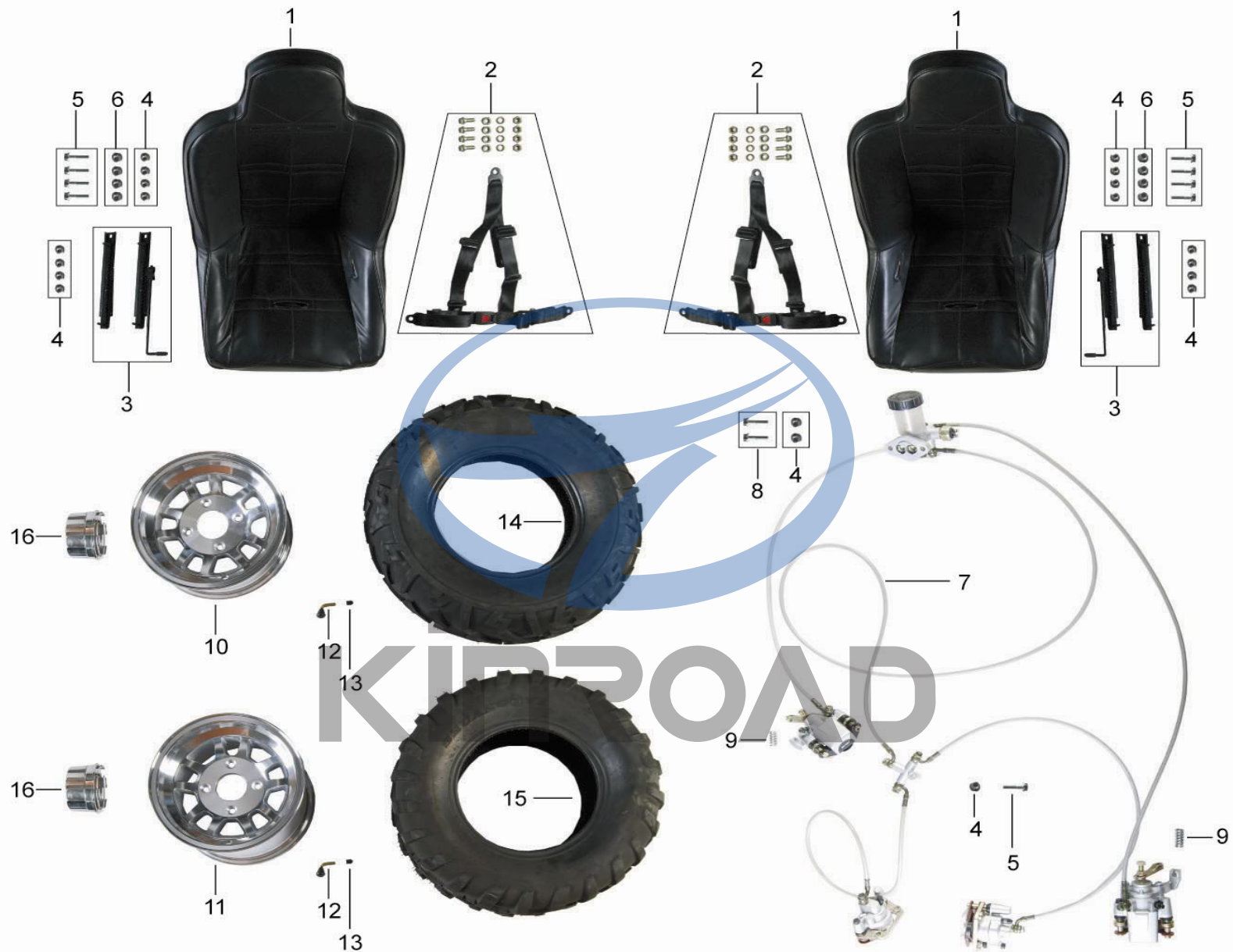
序号	功能码	中文名称	英文名称	数量	备注
Ref. No	Function Code	Chinese Description	Part Name	Reqd. No.	Remark
1	KN001010000	主车架	FRAME COMP.	1	
2	KM001040000	前保险杠	FRONT BRUSH GUARD BAR.MAIN	1	
3	GB/T70-86	内六角螺栓M12×1.75×25	BOLT, HEX IN M12×1.75×25	4	
4	KM003170000-2	前右挡泥板	FONT FENDER. R	1	
5	KM00109001A	前右挡泥板支架	BRACKEY. FRONT FENDER. R	1	
6	GB/T67-2000	十字大盘头螺钉M6×20	BOLT M6×20	16	
7	KM003440000	φ6橡胶垫	RUBBER WASHER ( ø6)	16	
8	GB6187-86	六角法兰自锁螺母M6	NUT FLANGE M6	16	
9	GB5787-86	六角法兰螺栓M10×25	BOLT FLANGE M10*25	8	
10	GB6187-86	六角法兰自锁螺母M10	NUR FLANGE M10	8	
11	KM00111001A	后右挡泥板支架	BRACKEY. REAR FENDER. R	1	
12	KM003180000-2	后右挡泥板	REAR FENDER. R	1	
13	KM00154001A	拖车挂件支架	BRACKEY. TOW BALL	1	
14	KM001720000	拖车挂钩	TOW BALL	1	
15	GB95-85	垫圈	FLAT WASHER ø15	1	
16	GB/T93-87	弹垫10	WASHER ,SPRTNG ø15	1	
17	GB5787-86	螺栓	BOLT FLANGE M15*25	1	
18	GB5787-86	六角法兰螺栓M8×45	BOLT FLANGE M8×45	4	
19	GB6187-86	六角法兰自锁螺母M8	NUT FLANGE M8	4	
20	KM001220000	后保险杠	REAR BUMPER BAR	1	
21	GB/T70-86	内六角螺栓M12×1.75×25	BOLT. HEX IN M12×1.75×25	4	
22	KM00143001A	油箱压板	FUEL TANK STRAP	2	
23	KM00143001A	六角法兰螺栓M10	BOLT FLANGE M10	2	
24	GB6187-86	六角法兰螺栓M10×45	BOLT FLANGE M10×45	2	
25	GB5787-86	油箱安装架	BRACKEY, TANK	1	
26	KM001240000	六角法兰自锁螺母M10	NUT FLANGE M10	4	
27	KM002060200	油箱橡胶条	FUEL TANK RUBBER STRAP	4	

28	KM003420000	油箱	TANK, COMP. FUEL	1	
29	GB6187-86	油箱盖	COVER, FUEL TANK	1	
30	KM003210200	油管卡簧 $\phi$ 12.5	CIRCLIP, FUEL TUBE $\phi$ 12.5	4	
31	KM001860050	油管 $\phi$ 6 $\times$ $\phi$ 13, 长450	FUEL TUBE, 450	1	
32	KMM002090000	过滤器	FILTER	1	
33	KM002060000	油管 $\phi$ 6 $\times$ $\phi$ 13, 长300	FUEL TUBE, 300	1	
34	KM003210300	油滤器支架	FILTER BRACKET	1	
35	KM00154001A	过滤器胶条, 长220	RUBBER ,FILTER BRACKET	1	
36	KM204270000	油位传感器	FUEL SENSOR	1	
37	KM003440000	$\phi$ 6橡胶垫	RUBBER WASHER ( $\phi$ 6)	5	
38	GB95-85	平垫5	FLAT WASHER $\phi$ 5	5	
39	GB5787-86	六角法兰螺栓M5 $\times$ 16	BOLT FLANGE M5 $\times$ 16	5	
40	GB5787-86	六角法兰螺栓M8 $\times$ 115	BOLT FLANGE M8 $\times$ 115	4	
41	KM003440100	衬套10*14*48	BUSH $\phi$ 8.5 $\times$ $\phi$ 14 $\times$ 50	4	
42	KM001240000	六角法兰自锁螺母M8	NUT FLANGE M8	4	
43	KA001130000	后储物架组件	CARRIER COMP. , REAR	1	
44	KM003180000-1	后左挡泥板	REAR FENDER. L	1	
45	KM00112001A	后左挡泥板支架	BRACKEY. TEAR FENDER. L	1	
46	KM003170000-1	前左挡泥板支架	BRACKEY. FRONT FENDER. L	1	
47	KM00110001A	前左挡泥板	FRONT FENDER. L	1	
48	GB5787-86	六角法兰螺栓M8 $\times$ 20	BOLT FLANGE M8 $\times$ 20	1	
49	KM001240000	六角法兰自锁螺母M8	NUT FLANGE M8	1	
50	KM001510000	后货架板	COVER, CARRIER COMP. , REAR	1	

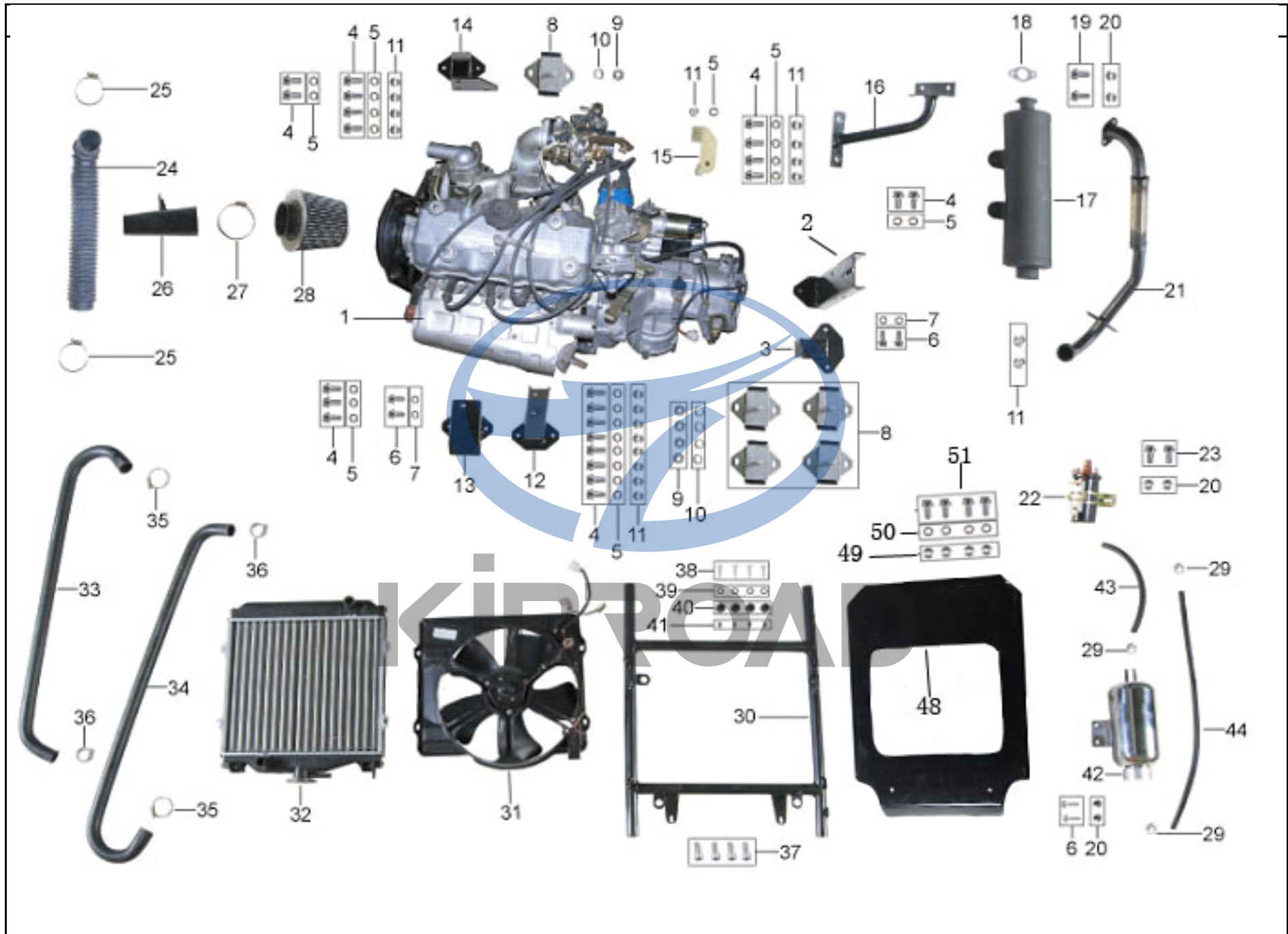
|











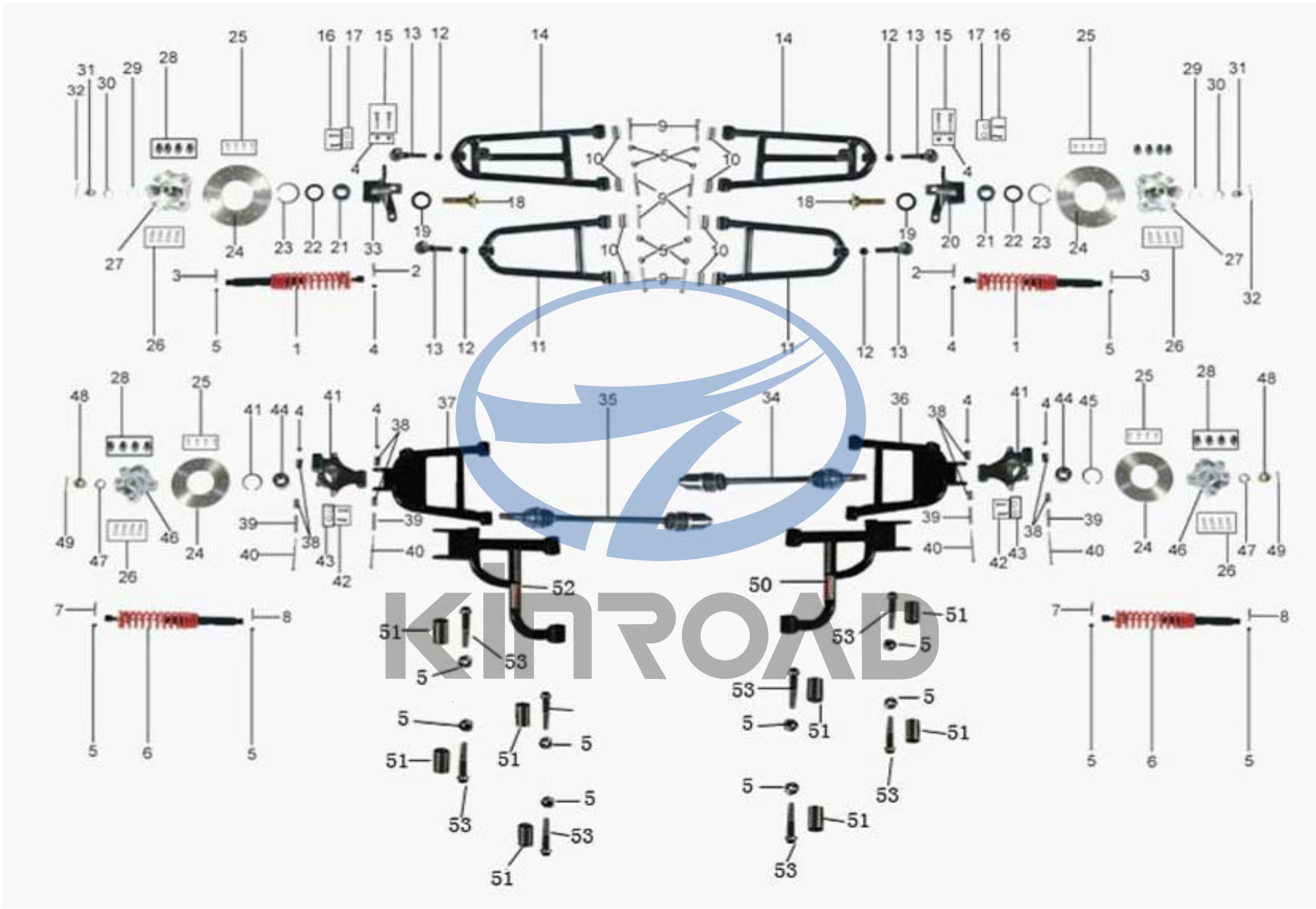
序号	功能码	中文名称	英文名称	数量	备注
Ref. No	Function Code	Chinese Description	Part Name	Reqd. No.	Remark
1	KN002010000	发动机	ENGINE ASSY	1	
2	KN001180000	发动机侧安装支架座1	ENGINE MOUNT, LEFT1	1	
3	KN001190000	发动机侧安装支架座2	ENGINE MOUNT, LEFT2	1	
4	GB5787-86	六角法兰螺栓M10×25	BOLT FLANGE M10×25	22	
5	GB/T93-87	弹垫10	WASHER ,SPRTNG ø10	23	
6	GB5787-86	六角法兰螺栓M8×20	BOLT FLANGE M8×20	6	
7	GB/T93-87	弹垫8	WASHER ,SPRTNG ø8	4	
8	KM003460000	发动机缓冲垫2(大)	ENGINE RUBBER BUMPER2	5	
9	GB6170-86	六角螺母M12×1.75	NUT M12×1.75	5	
10	GB/T96-85	平垫12	FLAT WASHER ø12	5	
11	GB6187-86	六角法兰自锁螺母M10	NUT FLANGE M10	15	
12	KN00139001A	发动机前安装支架座2	ENGINE MOUNT, FRONT	1	
13	KN00136001A	发动机前安装支架座1	ENGINE MOUNT, FRONT	1	
14	KN00137001A	发动机后安装支架座	ENGINE MOUNT, REAR	1	
15	KM00145001A	换档支架	REVERSE, BRACKET	1	
16	KM001200000	排气管安装支架	MUFFER BRACKET	1	
17	KM202040000	排气消声器总成	MUFFLER COMP., EX	1	
18	KM002040100	排气消声器密封垫1	EXHAUST GASKET TO HEAD1	1	
19	GB5787-86	六角法兰螺栓M8×25	BOLT FLANGE M8×25	6	
20	GB6187-86	六角法兰自锁螺母M8	NUT FLANGE M8	10	
21	KM202040100-1	消声器弯管	FRONT EXHAUST PIPE	1	
22	KM202040200	消声器接头密封垫	CARBON BUSH	1	
23	GB5787-86	六角法兰螺栓M8×16	BOLT FLANGE M8×16	4	
24	KM202030200	空滤器连接管	FLEXIBLE HOSE	1	
25	KM202030100	空滤器卡箍	FLEXIBLE HOSE CLAMP	2	
26	KM202030000	空滤器	AIR CLEANR ASSY.	1	

27	KM003210100	油管 $\phi 6 \times \phi 13$ 长500专用	OIL PIPE 1	1	
28	KM003210400	油管 $\phi 6 \times \phi 13$ 长450专用	OIL PIPE 2	1	
29	KM001860050	油管卡簧 $\phi 12.5$	CIRCLIP, FUEL TUBE $\phi 12.5$	7	
30	KM001080000	水箱支架	BRACKET, RADIATOR	1	
31	KM202100000	风扇	FAN	1	
32	KM202090000	水箱	RADIATOR	1	
33	KM202070000	出水管	WATER OUTLET HOSE, ENGINE	1	
34	KM202080000	回水管	WATER INLET HOSE, ENGINE	1	
35	KM001870050	卡箍21-44	CIRCLIP 21-44	2	
36	KB004340000	卡箍21-38	CIRCLIP21-38	2	
37	GB/T70-86	内六角螺栓M12 $\times$ 1.75 $\times$ 25	BOLT, HEX IN M12 $\times$ 1.75 $\times$ 25	4	
38	GB5787-86	六角法兰螺栓M6 $\times$ 25	BOLT FLANGE M6 $\times$ 25	4	
39	17519-BCA0-0000-00	油箱安装衬套	COLLAR, INNER	4	
40	KA003370000	油箱橡胶圈	RUBBER RING	4	
41	GB6187-86	六角法兰自锁螺母M6	NUT FLANGE M6	4	
42	KM004210000	副水箱	WATER TANK, SUBSIDIARY	1	
43	KM003210600	副水箱通水管 I	OVERFLOW BOTTLE HOSE I	1	
44	KM003210700	副水箱通水管II	OVERFLOW BOTTLE HOSEII	1	
45	KM202060000	汽油泵	GASLINE PUMP	1	
46	KM001210000	空滤器支架	AIR CLEANR BRACKET	2	
47	KM202050000	高压包	COIL COMP. IGNITION	1	
48	KM003060000	散热器罩	COVER. RADIATOR	1	
49	KM003440000	橡胶垫圈	RUBBER WASHER ( $\phi 6$ )	4	
50	GB/T96-85	垫片 $\phi 6$	FLAT WASHER $\phi 6$	4	
51	GB/T818-86	十字大盘头螺钉M6 $\times$ 20	BOLT M6*20	4	



序号	功能码	中文名称	英文名称	数量	备注
Ref. No	Function Code	Chinese Description	Part Name	Reqd. No.	Remark
1	KM004030000	前照灯	HEAD LAMP	2	
2	GB6187-86	六角法兰自锁螺母M8	NUT FLANGE M8	2	
3	GB5787-86	六角法兰螺栓 M8×40	BOLT FLANGE M8×40	2	
4	KA204160100	前后转向灯	F. B L. R TURNING LIGHT	4	
5	KM004070000	左\右后视镜	RIGHT REARVIEW MIRROR	2	
6	GB6187-86	六角法兰自锁螺母M8	BOLT, HEX IN M8	2	
7	KM204210000	灯光指示表	SIGNAL INDICATOR	1	
8	KM204260000	油位表	FUEL METER	1	
9	KM004150100	速度表	SPEEDOMETER	1	
10	KA003080000	开关下盖	COVER SWITCH	1	
11	KA004030000	照明开关	TOPLIGHT SWITCH	1	
12	KA004020000	熄火开关	ENGINE STOP BUTTON	1	
13	KC004010000	喇叭开关	HORN BUTTON	1	
14	KM204310000	防盗锁	GUARD AGAINST THEFT LOCK	1	
15	GB/T70-86	内六角螺栓M5*16	BOLT. HEXIN M5*16	2	
16	KM004010000	组合开关	INTERGRATED SWITCH ASSY.	1	
17	KC204180000-1	喇叭	HORN	1	
18	GB5787-86	六角法兰螺栓M8×16	BOLT FLANGE M8×16	6	
18	GB5787-86	六角法兰自锁螺母M8	NUT FLANGE M8	2	
19	GB5787-86	六角法兰螺栓M8×16	BOLT FLANGE M8×16	2	
20	GB5787-86	六角法兰自锁螺母M6	NUT FLANGE M6	4	
21	KM204110000	后尾灯	TAIL LAMP ASSY.	4	
22	GB845-85	自攻螺钉ST3.8×12	BOLT ST3.8×12	1	
23	KA204200000	后牌照灯	REAR REGISTRATION PLATE LAMP	2	
24	KM004070000	主电缆	MAIN WIRE HARNESS	1	
25	GB5787-86	六角法兰螺栓 M8×98	BOLT FLANGE M8×98	2	
26	GB6187-86	六角法兰自锁螺母M8	NUT FLANGE M8	2	





序号	功能码	中文名称	英文名称	数量	备注
Ref. No	Function Code	Chinese Description	Part Name	Reqd. No.	Remark
1	KM006310000	前减震器	ABSORBER ASSY. FR.	2	
2	GB5787-86	六角法兰螺栓M12×50	BOLT FLANGE M12×55	2	
3	GB5787-86	六角法兰螺栓M10×50	BOLT FLANGE M10×50	2	
4	GB6187-86	六角法兰自锁螺母M10	NUT FLANGE M10	14	
5	GB6187-86	六角法兰自锁螺母M12	NUT FLANGE M12	18	
6	KM006320000	后减震器	ABSORBER ASSY. RR.	2	
7	GB5787-86	六角法兰螺栓M12×50	BOLT FLANGE M12×55	2	
8	GB5787-86	六角法兰螺栓M12×55	BOLT FLANGE M12×55	2	
9	GB5787-86	六角法兰螺栓M12×70	BOLT FLANGE M12×70	8	
10	KM003390000	悬挂臂缓冲套	SHEET BUSH, SWING ARM	8	
11	KM00117001A	前上悬挂臂总成	SUSPENSION ARM COMP, UPPER	2	
12	GB6170-86	六角螺母M16×1.5	NUTM16×1.5	4	
13	KM001710000	球接总成	ROD END	4	
14	KM00118001A	前下悬挂臂总成	SUSPENSION ARM COMP, LOWER	2	
15	GB5787-86	六角法兰螺栓M10×45	BOLT FLANGEM10×45	4	
16	GB5787-86	六角法兰螺栓M8×25	BOLT FLANGE M8×25	4	
17	GB/T93-87	弹垫8	WASHER ,SPRTNG ø8	4	
18	KM005100030	前轮轴	AXLE, FRONT	2	
19	KM005420000	油封40×58-8.5	DUST SEAL 40×58-8.5	2	
20	KM00506001A	右前轮毂	STUB AXLE, R	1	
21	KM005520000	轴承FWD305530	BEARING FWD305530	2	
22	KM005410000	油封40×55-6	DUST SEAL 40×55-6	2	
23	GB/T 893.1-86	孔用弹性挡圈55	HOLE SPACER, ELASTIC 55	2	
24	KM005310100	碟刹盘	DISC, BRAKE	4	
25	GB5780-86	六角螺栓M8×20	BOLT M8×20	16	
26	KM005070090	M12辐板轮螺栓, 镀铬	BOLT FLANGEM12×30	16	
27	KM005070040	前碟刹盘座	FRONT HUB	2	

28	GB/T923-88	盖形螺母M12	WHEEL NUT M12	16	
29	GB95-85	平垫18	FLAT WASHER 18	8	
30	GB/T93-87	弹垫18	WASHER ,SPRTNG ø18	8	
31	GB/T9457-1988	六角开槽螺母M18×1.5	NUT-CASTLE M18×1.5, FRONT AXLE	2	
32	GB/T 91-2000	开口销3.2×40	COTTERPIIN 3.2×40	2	
33	KM00505001A	左前轮毂	STUB AXLE, L	1	
34	KM00512001A	左半轴	LEFT PROPELLER SHAFT	1	
35	KM00512001B	右半轴	RIGHT PROPELLER SHAFT	1	
36	KM001070001	后左下摇臂	LOWER SUSPENSION, UPPER	1	
37	KM001070002	后右下摇臂	LOWER SUSPENSION, LOWER	1	
38	KM101025000	后轮毂衬套	BUSH, SHAFT CARRIER	8	
39	KM001008000	后摆臂套筒内心管	SPACER, SHAFT CARRIER	4	
40	GB5787-86	六角法兰螺栓M10×85	BOLT FLANGE M10×85	4	
41	KM00508001A	后轮毂	SHAFT CARRIER	2	
42	GB5787-86	六角法兰螺栓M8×25	BOLT FLANGE M8×25	4	
43	GB/T93-87	弹垫8	WASHER ,SPRTNG ø8	4	
44	KM005510000	轴承DAC3055W	BEARINGDAC3055W	2	
45	GB/T 893.1-86	孔用弹性挡圈55	HOLE SPACER, ELASTIC 55	2	
46	KM005090040	后碟刹盘座	REAR HUB	2	
47	GB95-85	六角开槽螺母M24×1.5	NUT-CASTLE M24×1.5, FRONT AXLE	2	
48	GB/T93-87	弹垫24	WASHER ,SPRTNG ø24	2	
49	GB/T9457-1988	开口销3.8×40	COTTERPIIN 3.8×40	2	
50	KN001009000	后左上摇臂	LOWER SUSPENSION, LOWER	1	
51	KM001002000	后摇架套筒心管	SHEET BUSH SWING ARM	8	
52	KN003470000	后右上摇臂	LOWER SUSPENSION, UPPER	1	
53	GB5787-86	六角法兰螺栓M12×105	BOLT FLANGE M12×105	8	