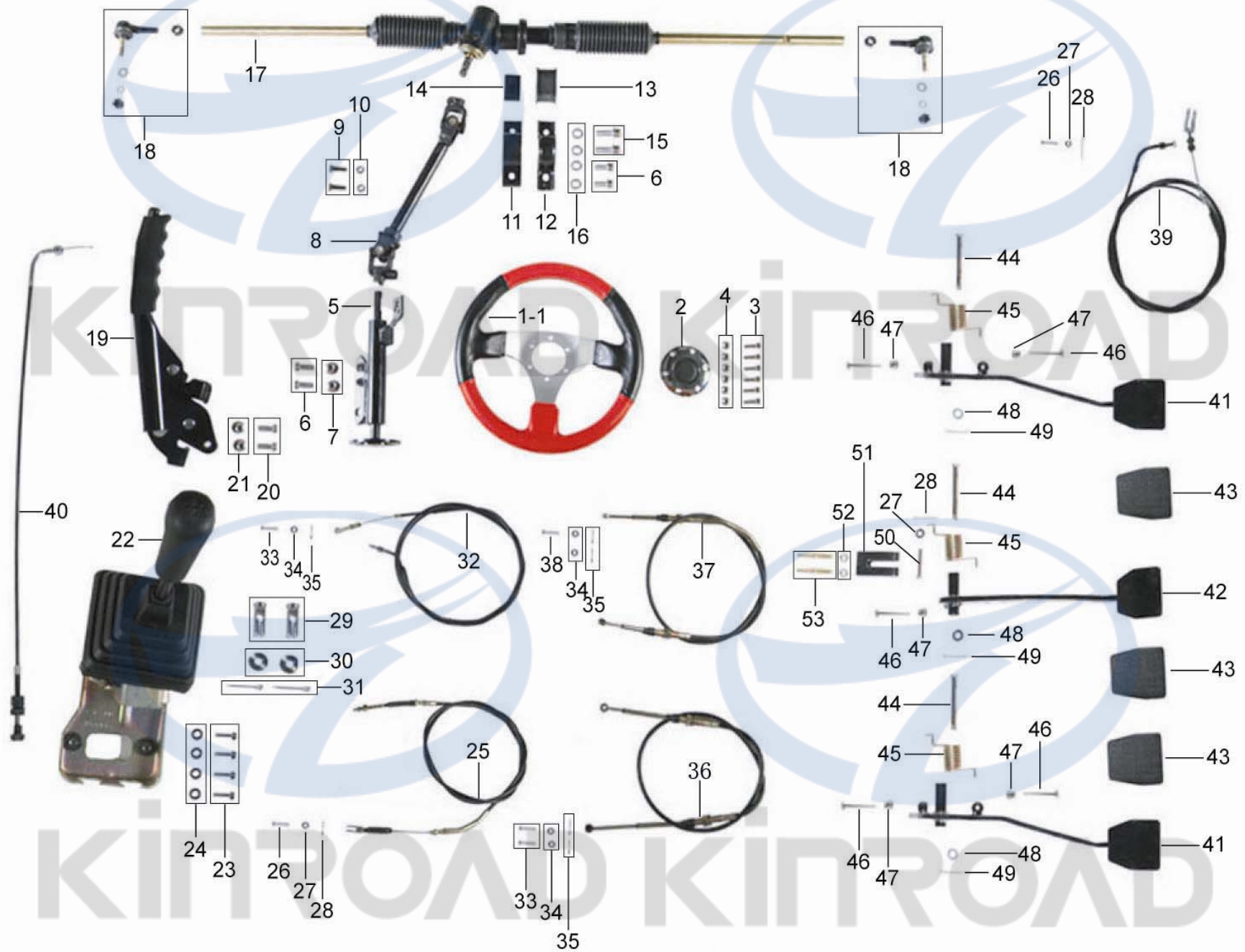


| NO. | Part NO. | Description | Description in English | 数量Qty | 价格Price | 备注Remark |
|-----|---------------|------------------|----------------------------|-------|---------|----------|
| 1 | KF001010000-1 | 主车架 | FRAME COMP. | 1 | | |
| 2 | KH001250000 | 左底板 | LEFT FOOT BOARD | 1 | | |
| 3 | KH001260000 | 右底板 | RIGHT FOOT BOARD | 1 | | |
| 4 | KH001280000 | 右侧底板 | RIGHT PLATE GUARD | 1 | | |
| 5 | KH001270000 | 左侧底板 | LEFT PLATE GUARD | 1 | | |
| 6 | GB/T67-2000 | 十字大盘头螺钉M6×20 | BOLT M6×20 | 16 | | |
| 7 | KM003440000 | φ6橡胶垫 | RUBBER WASHER (φ6) | 16 | | |
| 8 | GB6187-86 | 六角法兰自锁螺母M6 | NUT FLANGE M6 | 16 | | |
| 9 | KH001090000 | 后储物架组件 | CARRIER COMP., REAR | 1 | | |
| 10 | KH001100000 | 后货架板 | COVER, CARRIER COMP., REAR | 1 | | |
| 11 | GB5787-86 | 六角法兰螺栓M8×20 | BOLT FLANGE M8×12 | 5 | | |
| 12 | GB6187-86 | 六角法兰自锁螺母M8 | NUT FLANGE M8 | 5 | | |
| 13 | GB5787-86 | 六角法兰螺栓M8×40 | BOLT FLANGE M8×40 | 8 | | |
| 14 | GB6187-86 | 六角法兰自锁螺母M8 | NUT FLANGE M8 | 8 | | |
| 15 | KH001220000-1 | 后保险杠 | REAR BUMPER BAR | 1 | | |
| 16 | GB/T70-86 | 内六角螺栓M12×1.75×25 | BOLT, HEX IN M12×1.75×25 | 4 | | |
| 17 | KM001720000 | 拖车挂钩 | TOW BALL | 1 | | |
| 18 | KM002060000 | 油箱 | TANK, COMP. FUEL | 1 | | |
| 19 | KM002060200 | 油箱盖 | COVER, FUEL TANK | 1 | | |
| 20 | KH001240000 | 油箱安装架 | BRACKEY, TANK | 1 | | |
| 21 | GB5787-86 | 六角法兰螺栓M10×45 | BOLT FLANGE M10×45 | 2 | | |
| 22 | GB6187-86 | 六角法兰自锁螺母M10 | NUT FLANGE M10 | 2 | | |
| 23 | KM00143001A | 油箱压板 | FUEL TANK STRAP | 2 | | |
| 24 | GB6187-86 | 六角法兰自锁螺母M10 | NUT FLANGE M10 | 4 | | |
| 25 | KM003420000 | 油箱橡胶条 | FUEL TANK RUBBER STRAP | 2 | | |
| 26 | KMM002090000 | 过滤器 | FILTER | 1 | | |
| 27 | KM001860050 | 油管卡簧φ12.5 | CIRCLIP, FUEL TUBE φ12.5 | 4 | | |
| 28 | KM003210200 | 油管φ6×φ13,长450 | FUEL TUBE, 450 | 1 | | |

| NO. | Part NO. | Description | Description in English | 数量Qty | 价格Price | 备注Remark |
|-----|-------------|-----------------------------------|----------------------------|-------|---------|----------|
| 29 | KM003210300 | 油管 $\phi 6 \times \phi 13$, 长300 | FUEL TUBE, 300 | 1 | | |
| 30 | KM003430000 | 过滤器胶条, 长220 | RUBBER , FILTER BRACKET | 1 | | |
| 31 | KM00154001A | 油滤器支架 | FILTER BRACKET | 1 | | |
| 32 | KM204270000 | 油位传感器 | FUEL SENSOR | 1 | | |
| 33 | GB5787-86 | 六角法兰螺栓M5 \times 16 | BOLT FLANGE M5 \times 16 | 5 | | |
| 34 | GB95-85 | 平垫5 | FLAT WASHER $\phi 5$ | 5 | | |
| 35 | KM003440000 | $\phi 6$ 橡胶垫 | RUBBER WASHER ($\phi 6$) | 5 | | |

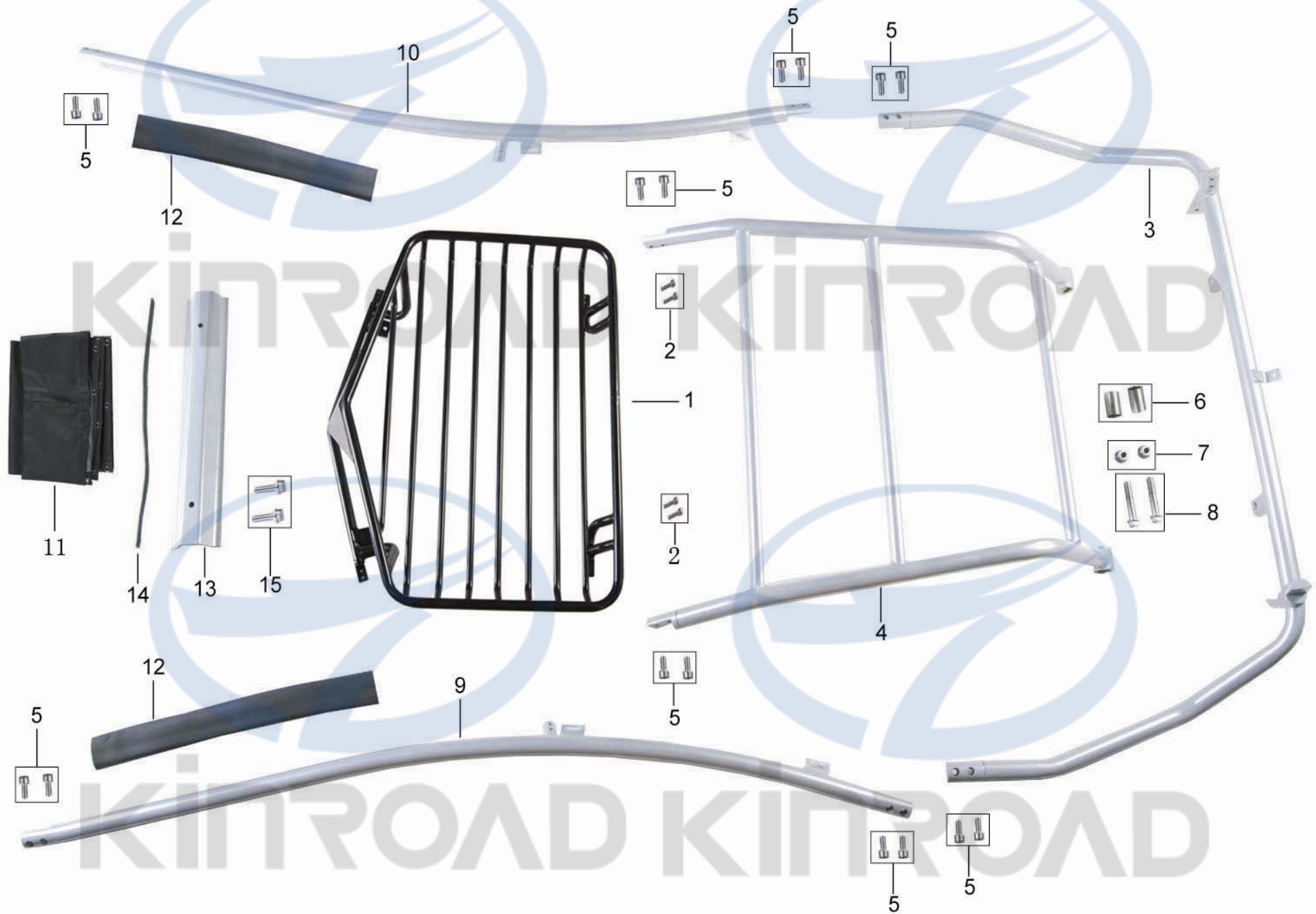
KINROAD KINROAD





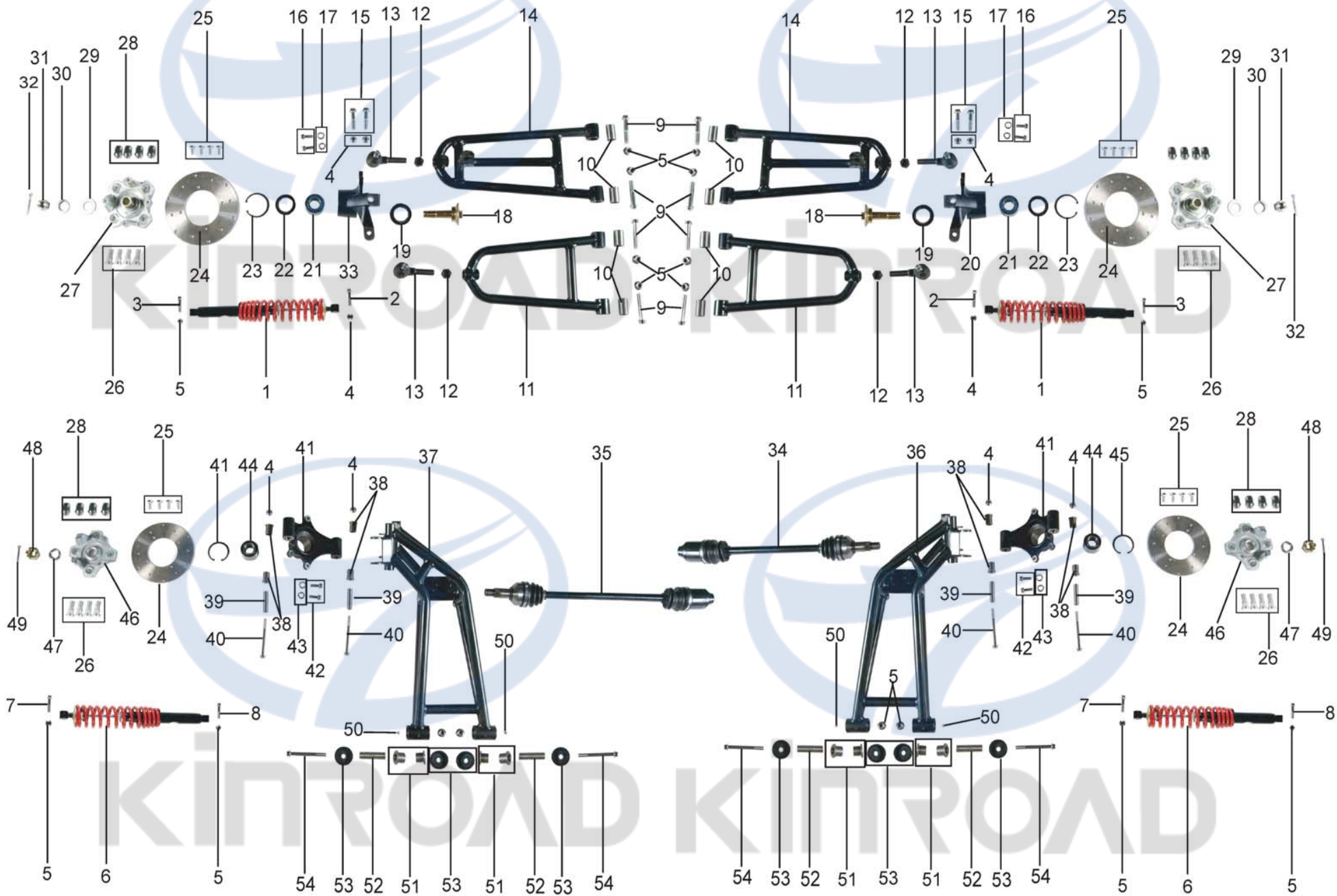
| NO. | Part NO. | Description | Description in English | 数量Qty | 价格Price | 备注Remark |
|-----|-------------|----------------|-------------------------|-------|---------|----------|
| 1 | KB003310000 | 方向盘 | STEERING COMP. | 1 | | |
| 2 | KB003020000 | 边向器螺栓盖 | STEERING COVER | 1 | | |
| 3 | GB/T70-86 | 内六角螺钉M6×20 | BOLT, HEX IN M6×20 | 6 | | |
| 4 | GB6187-86 | 六角法兰自锁螺母M6 | NUT FLANGE M6 | 6 | | |
| 5 | KM00601011A | 边向轴 | STEERING SHAFT | 1 | | |
| 6 | GB5787-86 | 六角法兰螺栓M10×25 | BOLT FLANGE M10×25 | 4 | | |
| 7 | GB6187-86 | 六角法兰自锁螺母M10 | NUT FLANGE M10 | 2 | | |
| 8 | KM00601061A | 转向关节轴 | SEEERING KNUCKLE | 1 | | |
| 9 | GB5787-86 | 六角法兰螺栓M8×25 | BOLT FLANGE M8×25 | 2 | | |
| 10 | GB/T93-87 | 弹垫8 | SPRNG WASHER, ø8 | 2 | | |
| 11 | KH001120000 | 变向器固定板1 | BRACKET1, STEERING GEAR | 1 | | |
| 12 | KM00153001A | 变向器固定板 | BRACKET, STEERING GEAR | 1 | | |
| 13 | KM003400000 | 方向器橡胶块1 | RUBBER, STEERING GEAR1 | 1 | | |
| 14 | KH001230000 | 变向器固定板压块 | CUSHION, STEERING GEAR | 1 | | |
| 15 | GB5787-86 | 六角法兰螺栓M10×30 | BOLT FLANGE M10×30 | 2 | | |
| 16 | GB/T93-87 | 弹垫10 | SPRNG WASHER , ø10 | 4 | | |
| 17 | KM00601031A | 变向箱 | STEERING GEAR | 1 | | |
| 18 | KM006010830 | 连接杆球头 | ROD END | 2 | | |
| 19 | KM00147001A | 手刹手柄 | HANDLE BAR, BRAKE | 1 | | |
| 20 | GB5787-86 | 六角法兰螺栓M8×16 | BOLT FLANGE M8×16 | 4 | | |
| 21 | GB6187-86 | 六角法兰自锁螺母M8 | NUT FLANGE M8 | 2 | | |
| 22 | KM00146001A | 换档手柄 | HANDLE BAR, REVERSE | 1 | | |
| 23 | GB5787-86 | 六角法兰螺栓M6×25 | BOLT FLANGE M6×25 | 4 | | |
| 24 | GB6187-86 | 六角法兰自锁螺母M6 | NUT FLANGE M6 | 4 | | |
| 25 | KH006260000 | 离合线 | CABLE, CLUTCH | 1 | | |
| 26 | GB/T882-86 | B型销轴(带孔Φ2)6×16 | PIN 6×16(HOLE Φ2) | 2 | | |
| 27 | GB/T97-87 | 小平垫6, 镀铬 | WASHER 6 | 5 | | |
| 28 | GB/T91-86 | 开口销1.6×25、镀铬 | SPLIT PIN 1.6×25 | 5 | | |

| NO. | Part NO. | Description | Description in English | 数量Qty | 价格Price | 备注Remark |
|-----|--------------|------------------|---------------------------|-------|---------|----------|
| 29 | GB/T119.1-86 | 离合线销轴, 镀铬 | PIN, CLUTCH CABLE | 2 | | |
| 30 | GB/T97-87 | 小平垫Φ16, 镀铬 | WASHER 16 | 2 | | |
| 31 | GB/T91-86 | 开口销2.5×25 | SPLIT PIN 2.5×25 | 2 | | |
| 32 | KH006210000 | 手刹线 | PARK BRAKE CABLE | 2 | | |
| 33 | GB/T882-86 | B型销轴 (带孔Φ4) 8×35 | PIN 8×35 (HOLE Φ4) | 3 | | |
| 34 | GB/T96-87 | 平垫8 | FLAT WASHER ø8 | 4 | | |
| 35 | GB/T91-86 | 开口销2.5×25 | SPLIT PIN 2.5×25 | 4 | | |
| 36 | KM006230000 | 换挡线1 | GEAR-SHIFT CABLE NO.1 | 1 | | |
| 37 | KH006240000 | 换挡线2 | GEAR-SHIFT CABLE NO.2 | 1 | | |
| 38 | GB/T882-86 | B型销轴 (带孔Φ4) 8×24 | PIN 8×24 (HOLE Φ4) | 1 | | |
| 39 | KH006220000 | 油门线 | CABLE , THROTTLE | 1 | | |
| 40 | KH006250000 | 风门线 | CHOKE CABLE | 1 | | |
| 41 | KH001140000 | 离合器、节气门踏板组件 | PEDAL COMP. , THROTTLE | 2 | | |
| 42 | KH001130000 | 刹车踏板组件 | PEDAL COMP. , BRAKE | 1 | | |
| 43 | KM003470000 | 脚踏皮 | PEDAL RUBBER COVER | 3 | | |
| 44 | GB/T882-86 | B型销轴 (带孔Φ4) 8×75 | PIN 8×75 (HOLE Φ4) | 3 | | |
| 45 | KN001810030 | 踏杆扭簧 | SPRING, RETURNING PEDAL | 3 | | |
| 46 | GB5787-86 | 六角法兰螺栓6×65、镀铬 | BOLT M6×65 | 5 | | |
| 47 | GB6170-86 | 六角螺母M6、镀铬 | NUT M6 | 5 | | |
| 48 | GB/T96-87 | 平垫8 | FLAT WASHER ø8 | 3 | | |
| 49 | GB/T91-86 | 开口销2.5×25 | SPLIT PIN 3.2×32 | 3 | | |
| 50 | GB/T882-86 | B型销轴 (带孔Φ2) 6×40 | PIN 6×40 (HOLE Φ2) | 1 | | |
| 51 | KH005310001 | 主压杆座 | MASTER CYLINDER ROD BLOCK | 1 | | |
| 52 | KH005310002 | 主压杆 | MASTER CYLINDER ROD | 2 | | |
| 53 | GB/T41-2000 | 六角螺母M8、镀铬 | NUT M8 | 2 | | |



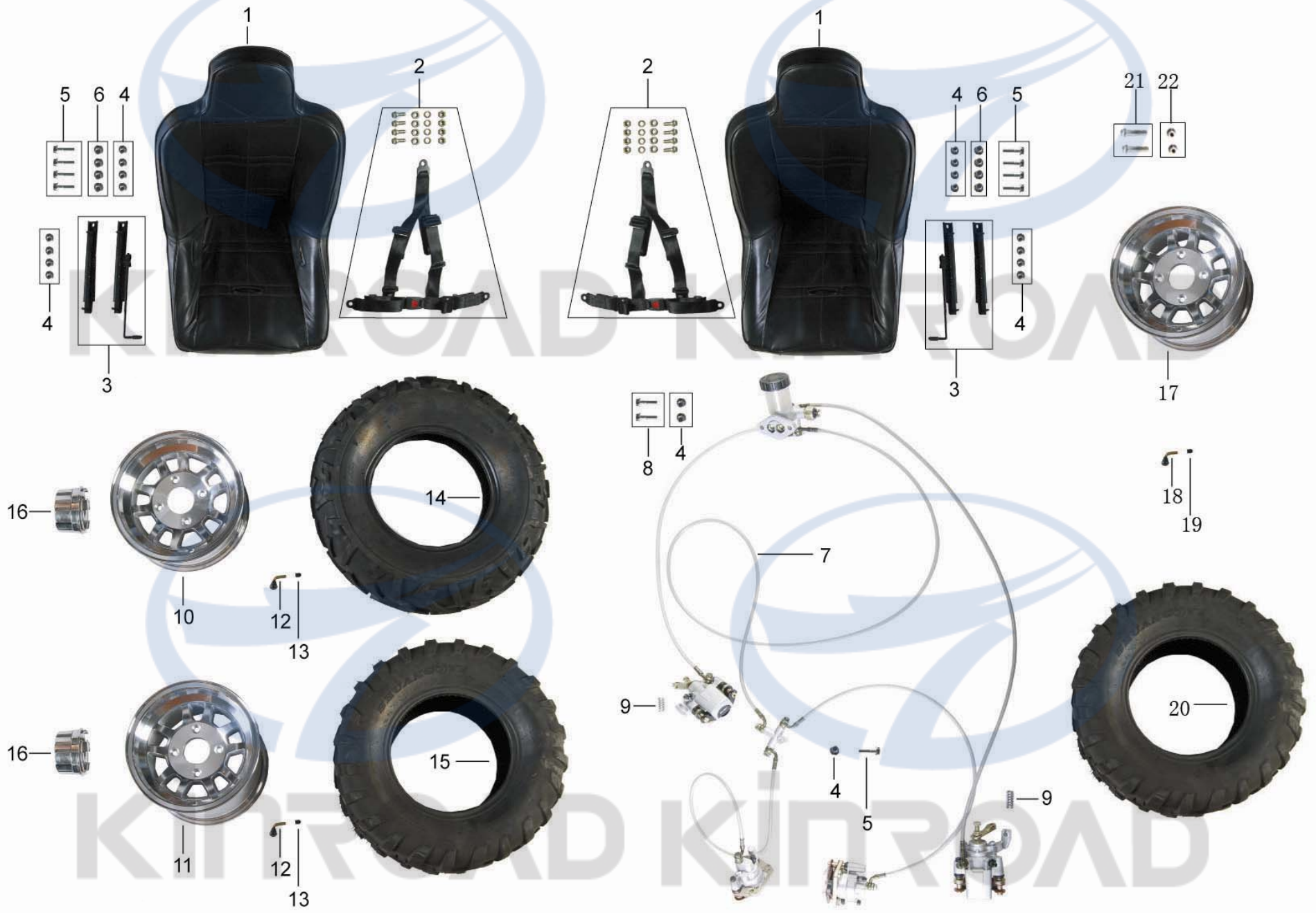
| NO. | Part NO. | Description | Description in English | 数量Qty | 价格Price | 备注Remark |
|-----|---------------|-------------------|-----------------------------|-------|---------|----------|
| 1 | KH001290000-1 | 大货架 | CARRIER COMP. | 1 | | |
| 2 | GB/T70-86 | 内六角螺栓M6×25 | BOLT, HEX IN M6×25 | 4 | | |
| 3 | KH001050000 | 保险杠连接架 | BRUSH GUARD BAR, CENTER | 1 | | |
| 4 | KH001060000-1 | 后保险杠连接架 | REAR BRUSH GUARD BAR ,MAIN | 1 | | |
| 5 | GB/T70-86 | 内六角螺栓M8×20 | BOLT, HEX IN M8×20 | 16 | | |
| 6 | KM003390000 | 悬挂臂缓冲套（借用650） | SHEET BUSH, SWING ARM | 2 | | |
| 7 | GB6187-86 | 六角法兰自锁螺母M12 | NUT FLANGE M12 | 2 | | |
| 8 | GB5787-86 | 六角法兰螺栓M12×1.25×70 | BOLT FLANGE M12×70 | 2 | | |
| 9 | KH001030000-1 | 左主保险杠架 | LEFT BRUSH GUARD BAR ,MAIN | 1 | | |
| 10 | KH001020000-1 | 右主保险杠架 | RIGHT BRUSH GUARD BAR ,MAIN | 1 | | |
| 11 | KH202090000 | 顶棚、护套 | TOP AND GUARD BAR FABRIC | 1 | | |
| 12 | KM008050000 | 保温管 | FOAM COVER | 2 | | |
| 13 | KH001290000 | 挡线板 | COVER, WIRE | 1 | | |
| 14 | KM003470000 | 挡线板胶条 | RUBBER COVER, WIRE | 1 | | |
| 15 | GB5787-86 | 六角法兰螺栓M8×20 | BOLT FLANGE M8×20 | 1 | | |

KINROAD KINROAD

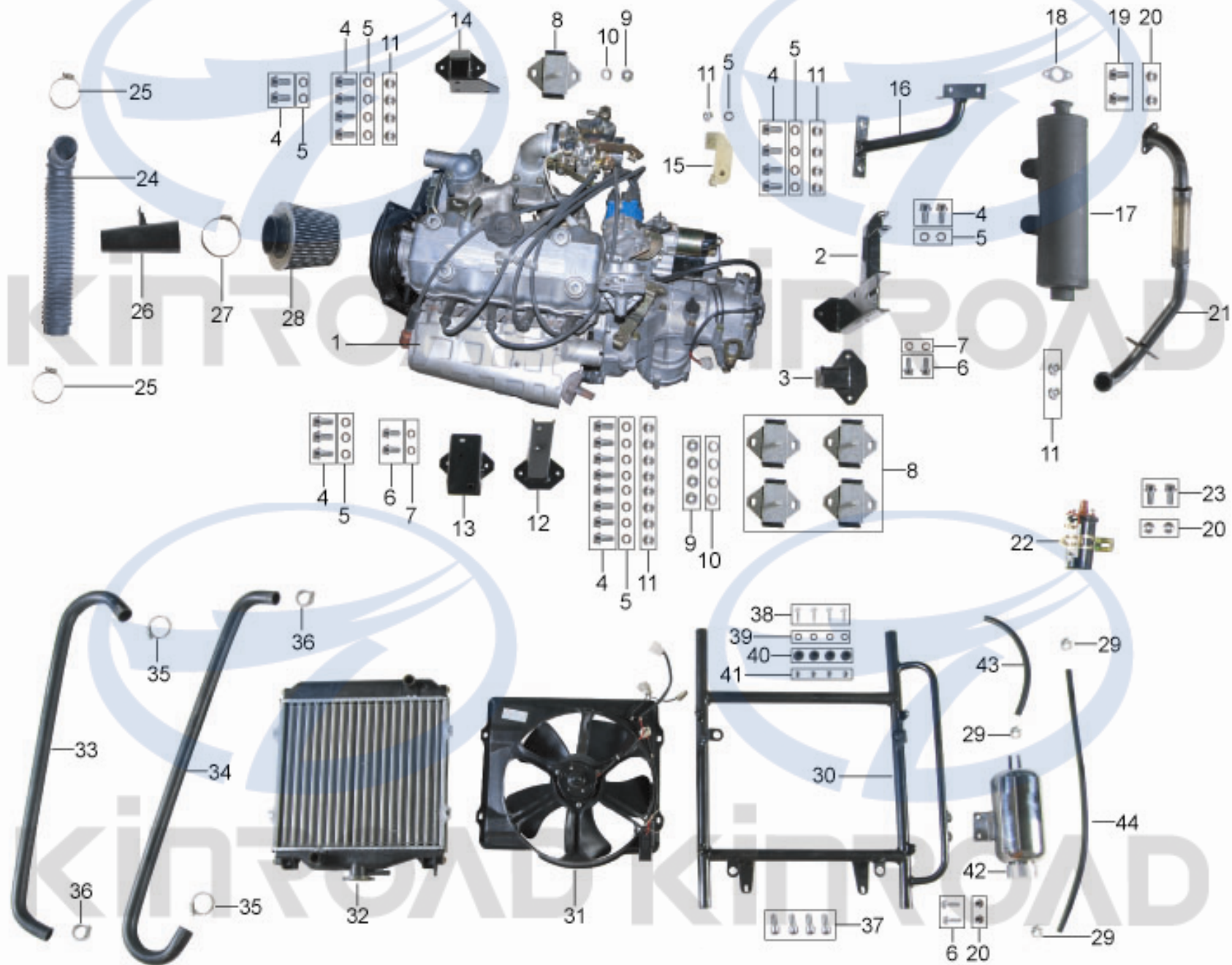


| NO. | Part NO. | Description | Description in English | 数量Qty | 价格Price | 备注Remark |
|-----|---------------|--------------|----------------------------|-------|---------|----------|
| 1 | KH006310000 | 前减震器 | ABSORBER ASSY. FR. | 2 | | |
| 2 | GB5787-86 | 六角法兰螺栓M12×50 | BOLT FLANGE M12×55 | 2 | | |
| 3 | GB5787-86 | 六角法兰螺栓M10×50 | BOLT FLANGE M10×50 | 2 | | |
| 4 | GB6187-86 | 六角法兰自锁螺母M10 | NUT FLANGE M10 | 14 | | |
| 5 | GB6187-86 | 六角法兰自锁螺母M12 | NUT FLANGE M12 | 18 | | |
| 6 | KH006320000 | 后减震器 | ABSORBER ASSY. RR. | 2 | | |
| 7 | GB5787-86 | 六角法兰螺栓M12×50 | BOLT FLANGE M12×55 | 2 | | |
| 8 | GB5787-86 | 六角法兰螺栓M12×55 | BOLT FLANGE M12×55 | 2 | | |
| 9 | GB5787-86 | 六角法兰螺栓M12×70 | BOLT FLANGE M12×70 | 8 | | |
| 10 | KM003390000 | 悬挂臂缓冲套 | SHEET BUSH, SWING ARM | 8 | | |
| 11 | KM00117001A | 前上悬挂臂总成 | SUSPENSION ARM COMP, UPPER | 2 | | |
| 12 | GB6170-86 | 六角螺母M16×1.5 | NUTM16×1.5 | 4 | | |
| 13 | KM001710000 | 球接总成 | ROD END | 4 | | |
| 14 | KM00118001A | 前下悬挂臂总成 | SUSPENSION ARM COMP, LOWER | 2 | | |
| 15 | GB5787-86 | 六角法兰螺栓M10×45 | BOLT FLANGE M10×45 | 4 | | |
| 16 | GB5787-86 | 六角法兰螺栓M8×25 | BOLT FLANGE M8×25 | 4 | | |
| 17 | GB/T93-87 | 弹垫8 | WASHER ,SPRTNG ø8 | 4 | | |
| 18 | KM005100030 | 前轮轴 | AXLE, FRONT | 2 | | |
| 19 | KM005420000 | 油封40×58-8.5 | DUST SEAL 40×58-8.5 | 2 | | |
| 20 | KM00506001A | 右前轮毂 | STUB AXLE, R | 1 | | |
| 21 | KM005520000 | 轴承FWD305530 | BEARING FWD305530 | 2 | | |
| 22 | KM005410000 | 油封40×55-6 | DUST SEAL 40×55-6 | 2 | | |
| 23 | GB/T 893.1-86 | 孔用弹性挡圈55 | HOLE SPACER, ELASTIC 55 | 2 | | |
| 24 | KM005310100 | 碟刹盘 | DISC, BRAKE | 4 | | |
| 25 | GB5780-86 | 六角螺栓M8×20 | BOLT M8×20 | 16 | | |
| 26 | KM005070090 | M12辐板轮螺栓, 镀铬 | RIM BOLT M12×1.5 | 16 | | |
| 27 | KM005070040 | 前碟刹盘座 | FRONT HUB | 2 | | |
| 28 | GB/T923-88 | 盖形螺母M12 | WHEEL NUT M12 | 16 | | |

| NO. | Part NO. | Description | Description in English | 数量Qty | 价格Price | 备注Remark |
|-----|---------------|---------------|--------------------------------|-------|---------|----------|
| 29 | GB95-85 | 平垫18 | FLAT WASHER 18 | 8 | | |
| 30 | GB/T93-87 | 弹垫18 | WASHER ,SPRTNG ø18 | 8 | | |
| 31 | GB/T9457-1988 | 六角开槽螺母M18×1.5 | NUT-CASTLE M18×1.5, FRONT AXLE | 2 | | |
| 32 | GB/T 91-2000 | 开口销3.2×40 | SPLIT PIN 3.2×40 | 2 | | |
| 33 | KM00505001A | 左前轮毂 | STUB AXLE, L | 1 | | |
| 34 | KH00512001A | 左半轴 | LEFT PROPELLER SHAFT | 1 | | |
| 35 | KH00512001A | 左半轴 | LEFT PROPELLER SHAFT | 1 | | |
| 36 | KH001070001 | 后左独立摇臂总成 | LOWER SUSPENSION, RB | 1 | | |
| 37 | KH001070002 | 后右独立摇臂总成 | LOWER SUSPENSION, RB | 1 | | |
| 38 | KM101025000 | 后轮毂衬套 | BUSH, SHAFT CARRIER | 8 | | |
| 39 | KM001008000 | 后摆臂套筒内心管 | SPACER, SHAFT CARRIER | 4 | | |
| 40 | GB5787-86 | 六角法兰螺栓M10×85 | BOLT FLANGE M10×85 | 4 | | |
| 41 | KM00508001A | 后轮毂 | SHAFT CARRIER | 2 | | |
| 42 | GB5787-86 | 六角法兰螺栓M8×25 | BOLT FLANGE M8×25 | 4 | | |
| 43 | GB/T93-87 | 弹垫8 | WASHER ,SPRTNG ø8 | 4 | | |
| 44 | KM005510000 | 轴承DAC3055W | BEARINGDAC3055W | 2 | | |
| 45 | GB/T 893.1-86 | 孔用弹性挡圈55 | HOLE SPACER, ELASTIC 55 | 2 | | |
| 46 | KM005090040 | 后碟刹盘座 | REAR HUB | 2 | | |
| 47 | GB95-85 | 六角开槽螺母M24×1.5 | NUT-CASTLE M24×1.5, FRONT AXLE | 2 | | |
| 48 | GB/T93-87 | 弹垫24 | WASHER ,SPRTNG ø24 | 2 | | |
| 49 | GB/T9457-1988 | 开口销3.8×40 | SPLIT PIN 3.8×40 | 2 | | |
| 50 | KA001690030 | 油嘴 | BLOWHOLE | 2 | | |
| 51 | KN001009000 | 悬臂安装内衬套 | POWDERED SPACER SLEEVE | 8 | | |
| 52 | KH001002000 | 后独立摇架套筒心管 | SPACER SLEEVE | 4 | | |
| 53 | KN003470000 | 悬挂挡圈 | SEAL Ø54 | 8 | | |
| 54 | GB5787-86 | 六角法兰螺栓M12×105 | BOLT FLANGE M12×105 | 4 | | |



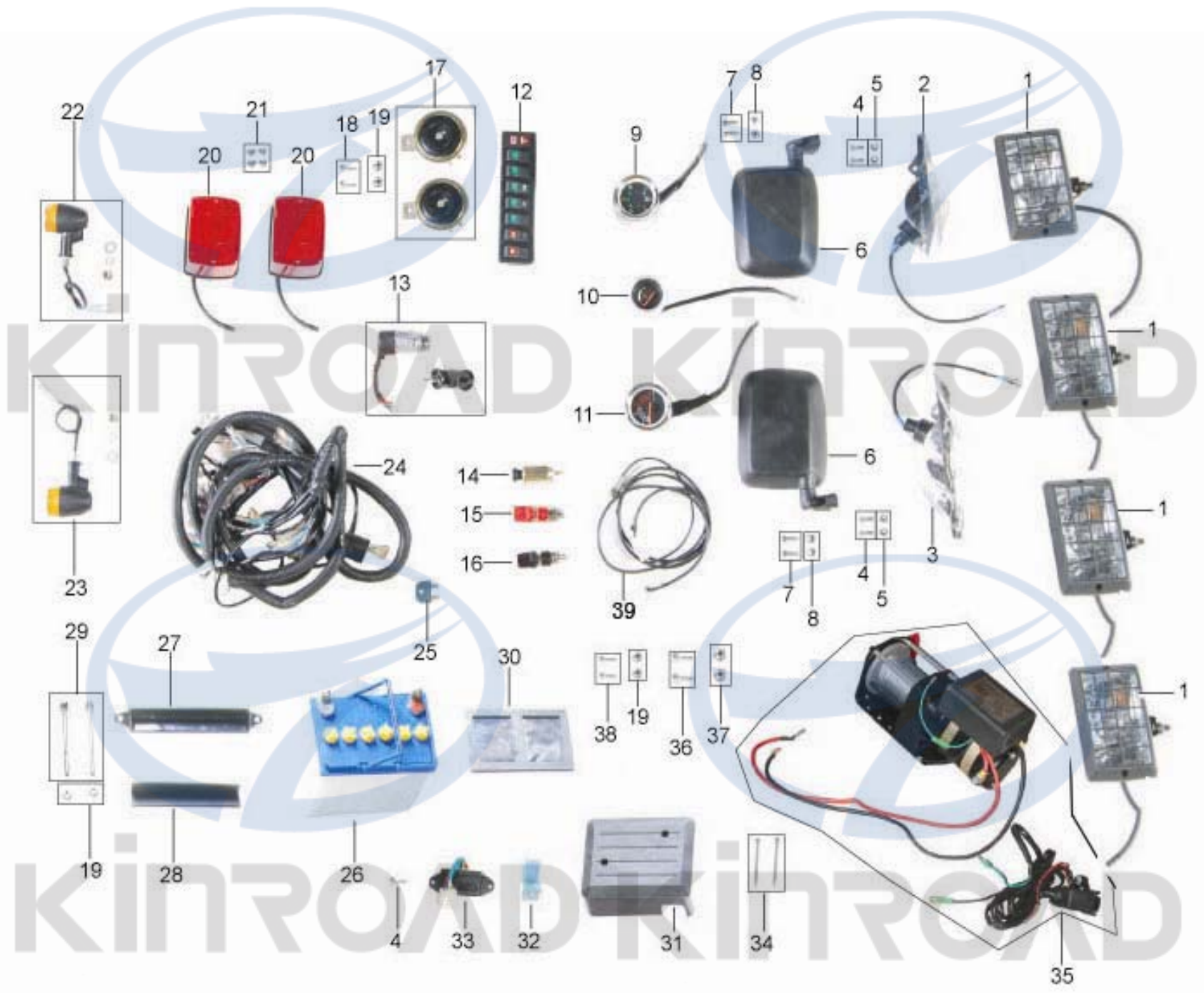
| NO. | Part NO. | Description | Description in English | 数量Qty | 价格Price | 备注Remark |
|-----|---------------|--------------|-----------------------------|-------|---------|----------|
| 1 | KM007010000 | 座垫总成 | SEAT | 2 | | |
| 2 | KA007080000 | 五点式安全带 | BELT, SAFETY | 2 | | |
| 3 | KM20705001A | 划轨 | SEAT RAIL SET | 4 | | |
| 4 | GB6187-86 | 六角法兰自锁螺母M8 | NUT FLANGE M8 | 19 | | |
| 5 | GB5787-86 | 六角法兰螺栓M8×40 | BOLT FLANGE M8×40 | 9 | | |
| 6 | GB6187-86 | 六角法兰自锁螺母M10 | NUT FLANGE M10 | 8 | | |
| 7 | KM005310300 | 主气缸组件 | CYLINDER ASSY, MASTER | 1 | | |
| 8 | GB5787-86 | 六角法兰螺栓M8×30 | BOLT FLANGE M8×30 | 2 | | |
| 9 | KN001810090 | 手刹压簧 | SPRING FOR BRAKE HANDLE | 2 | | |
| 10 | KM005010000 | 前辐板轮12×6 | RIM, FR. 12×6 | 4 | | |
| 11 | KM005020000 | 后辐板轮12×8 | RIM, FR. 12×8 | 2 | | |
| 12 | KM005030200 | 气门嘴帽 | CAP, TIRE INTAKE | 2 | | |
| 13 | KM005030100 | 气门嘴 | INTAKE, TIRE | 4 | | |
| 14 | KM005030000-1 | 真空胎25×8-12 | TIRE, FR 25×8-12 | 2 | | |
| 15 | KM005040000-1 | 真空胎25×10-12 | TIRE, FR 25×10-12 | 2 | | |
| 16 | KM005020000-1 | 副板轮螺栓盖 | RIM decorative cap | 4 | | |
| 17 | KM005020000 | 后辐板轮12×8 | RIM, FR. 12×8(选配、备用轮胎) | 1 | | |
| 18 | KM005030200 | 气门嘴帽 | CAP, TIRE INTAKE(选配、备用轮胎) | 1 | | |
| 19 | KM005030100 | 气门嘴 | INTAKE, TIRE(选配、备用轮胎) | 1 | | |
| 20 | KM005040000-1 | 真空胎25×10-12 | TIRE, FR 25×10-12(选配、备用轮胎) | 1 | | |
| 21 | GB5787-86 | 六角法兰螺栓M12×45 | BOLT FLANGE M12×45(选配、备用轮胎) | 2 | | |
| 22 | GB6187-86 | 六角法兰自锁螺母M12 | NUT FLANGE M12(选配、备用轮胎) | 2 | | |



| NO. | Part NO. | Description | Description in English | 数量Qty | 价格Price | 备注Remark |
|-----|---------------|--------------|-------------------------|-------|---------|----------|
| 1 | KN002010000-1 | 发动机 | ENGINE ASSY | 1 | | |
| 2 | KF001180000 | 发动机侧安装支架座1 | ENGINE MOUNT, LEFT1 | 1 | | |
| 3 | KF001190000 | 发动机侧安装支架座2 | ENGINE MOUNT, LEFT2 | 1 | | |
| 4 | GB5787-86 | 六角法兰螺栓M10×25 | BOLT FLANGE M10×25 | 22 | | |
| 5 | GB/T93-87 | 弹垫10 | WASHER ,SPRTNG ø10 | 23 | | |
| 6 | GB5787-86 | 六角法兰螺栓M8×20 | BOLT FLANGE M8×20 | 6 | | |
| 7 | GB/T93-87 | 弹垫8 | WASHER ,SPRTNG ø8 | 4 | | |
| 8 | KM003460000 | 发动机缓冲垫2 (大) | ENGINE RUBBER BUMPER2 | 5 | | |
| 9 | GB6170-86 | 六角螺母M12×1.75 | NUT M12×1.75 | 5 | | |
| 10 | GB/T96-85 | 平垫12 | FLAT WASHER ø12 | 5 | | |
| 11 | GB6187-86 | 六角法兰自锁螺母M10 | NUT FLANGE M10 | 17 | | |
| 12 | KN00136001A-1 | 发动机前安装支架座2 | ENGINE MOUNT, FRONT2 | 1 | | |
| 13 | KN00136001A | 发动机前安装支架座1 | ENGINE MOUNT, FRONT1 | 1 | | |
| 14 | KN00137001A | 发动机后安装支架座 | ENGINE MOUNT, REAR | 1 | | |
| 15 | KM00145001A | 换档支架 | REVERSE, BRACKET | 1 | | |
| 16 | KH001200000 | 排气管安装支架 | MUFFER BRACKET | 1 | | |
| 17 | KM202040000 | 排气消声器总成 | MUFFLER COMP. ,EX | 1 | | |
| 18 | KM002040100 | 排气消声器密封垫1 | EXHAUST GASKET TO HEAD1 | 1 | | |
| 19 | GB5787-86 | 六角法兰螺栓M8×25 | BOLT FLANGE M8×25 | 6 | | |
| 20 | GB6187-86 | 六角法兰自锁螺母M8 | NUT FLANGE M8 | 8 | | |
| 21 | KN202040100-1 | 消声器弯管 | FRONT EXHAUST PIPE | 1 | | |
| 22 | KM202050000 | 高压包 | COIL COMP. IGNITION | 1 | | |
| 23 | GB5787-86 | 六角法兰螺栓M8×16 | BOLT FLANGE M8×16 | 2 | | |
| 24 | KM202030200A | 空滤器连接管 | FLEXIBLE HOSE | 1 | | |
| 25 | KM202030100 | 空滤器卡箍 | FLEXIBLE HOSE CLAMP | 2 | | |
| 26 | KH001210000A | 空滤器支架 | AIR CLEANR BRACKET | 1 | | |
| 27 | KM202030100A | 空滤器大卡箍 | FLEXIBLE HOSE CLAMP | 1 | | |
| 28 | KM202030000A | 空滤器 | AIR CLEANR ASSY. | 1 | | |

| NO. | Part NO. | Description | Description in English | 数量Qty | 价格Price | 备注Remark |
|-----|--------------------|------------------|---------------------------|-------|---------|----------|
| 29 | KM001860050 | 油管卡簧 φ12.5 | CIRCLIP, FUEL TUBE φ12.5 | 3 | | |
| 30 | KH001080000 | 水箱支架 | BRACKET, RADIATOR | 1 | | |
| 31 | KM202100000 | 风扇 | FAN | 1 | | |
| 32 | KM202090000 | 水箱 | RADIATOR | 1 | | |
| 33 | KH202070000 | 出水管 | WATER OUTLET HOSE, ENGINE | 1 | | |
| 34 | KH202080000 | 回水管 | WATER INLET HOSE, ENGINE | 1 | | |
| 35 | KM001870050 | 卡箍21-44 | CIRCLIP 21-44 | 2 | | |
| 36 | KB004340000 | 卡箍21-38 | CIRCLIP21-38 | 2 | | |
| 37 | GB/T70-86 | 内六角螺栓M12×1.75×25 | BOLT, HEX IN M12×1.75×25 | 4 | | |
| 38 | GB5787-86 | 六角法兰螺栓M6×25 | BOLT FLANGE M6×25 | 4 | | |
| 39 | 17519-BCA0-0000-0C | 油箱安装衬套 | COLLAR, INNER | 4 | | |
| 40 | KA003370000 | 油箱橡胶圈 | RUBBER RING | 4 | | |
| 41 | GB6187-86 | 六角法兰自锁螺母M6 | NUT FLANGE M6 | 4 | | |
| 42 | KH004210000 | 副水箱 | WATER TANK, SUBSIDIARY | 1 | | |
| 43 | KM003210600 | 副水箱通水管 I | OVERFLOW BOTTLE HOSE I | 1 | | |
| 44 | KM003210700 | 副水箱通水管II | OVERFLOW BOTTLE HOSEII | 1 | | |

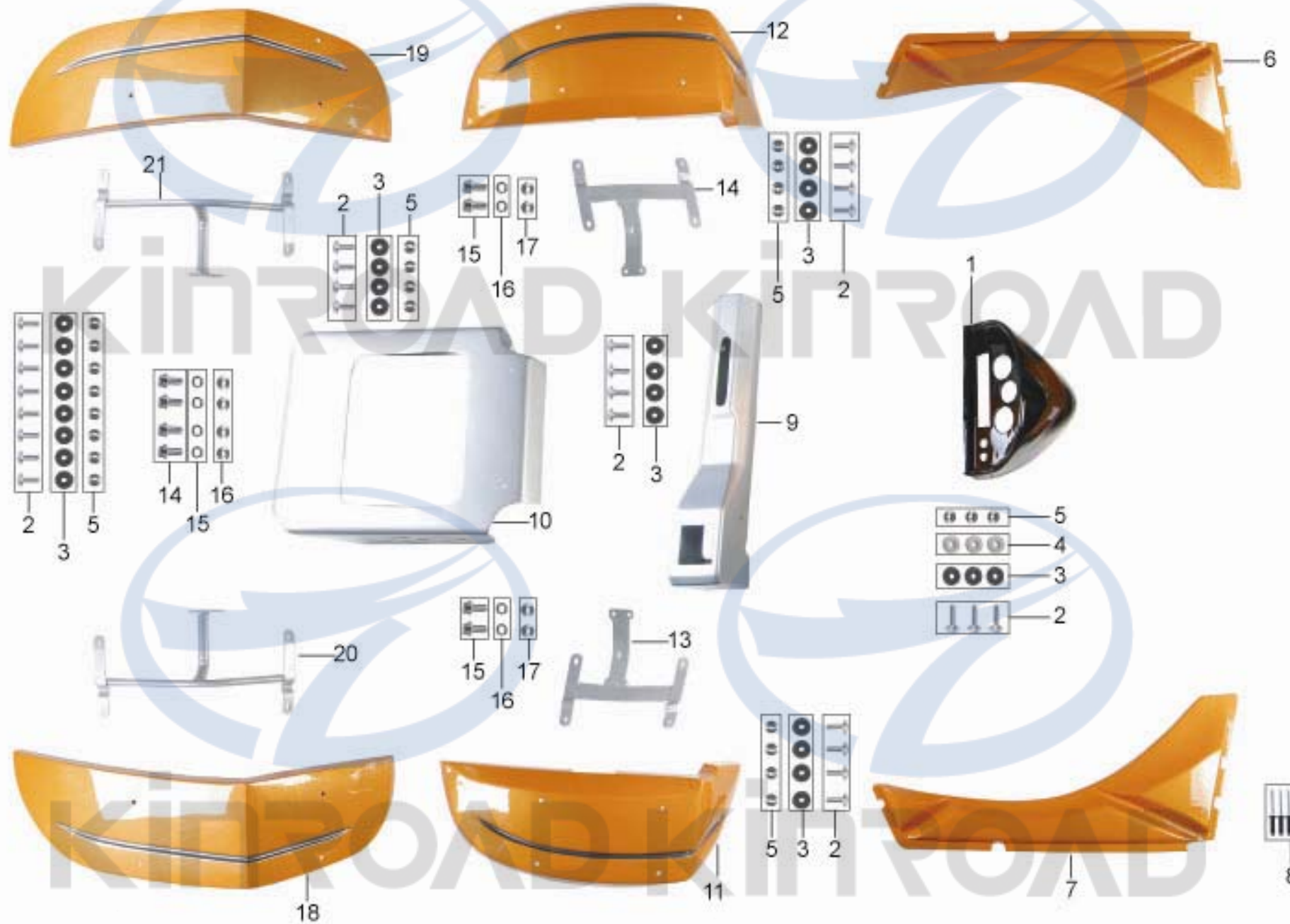
KINROAD KINROAD



| NO. | Part NO. | Description | Description in English | 数量Qty | 价格Price | 备注Remark |
|-----|---------------|----------------|-----------------------------|-------|---------|----------|
| 1 | KH004030000-1 | 前照灯 | HEAD LAMP | 4 | | |
| 2 | KH004040001-1 | 左前转向灯 | FORWARD LEFT TURNING LIGHT | 1 | | |
| 3 | KH004050002-1 | 右前转向灯 | FORWARD RIGHT TURNING LIGHT | 1 | | |
| 4 | GB5787-86 | 六角法兰螺栓M6×16 | BOLT FLANGE M6×16 | 4 | | |
| 5 | GB6187-86 | 六角法兰自锁螺母M6 | NUT FLANGE M6 | 4 | | |
| 6 | KH004070000-1 | 左\右后视镜 | RIGHT REARVIEW MIRROR | 1 | | |
| 7 | GB/T70-86 | 内六角螺栓M6×16, 镀铬 | BOLT, HEX IN M6×16 | 4 | | |
| 8 | GB6187-86 | 六角法兰自锁螺母M6 | NUT FLANGE M6 | 4 | | |
| 9 | KM204210000 | 灯光指示表 | SIGNAL INDICATOR | 1 | | |
| 10 | KM204260000 | 油位表 | FUEL METER | 1 | | |
| 11 | KM004150100 | 速度表 | SPEEDOMETER | 1 | | |
| 12 | KH004010000 | 组合开关 | INTERGRATED SWITCH ASSY. | 1 | | |
| 13 | KA0A4010000 | 点火锁 | IGNITION SWITCH | 1 | | |
| 14 | KB004060000 | 点烟器 | "U" OUTPUT PLUG | 1 | | |
| 15 | KN004150000 | 正极接线柱 | EXPRESS CONNECTION-PEG "+" | 1 | | |
| 16 | KN004160000 | 负极接线柱 | EXPRESS CONNECTION-PEG "--" | 1 | | |
| 17 | KC204180000-1 | 喇叭 | HORN | 2 | | |
| 18 | GB5787-86 | 六角法兰螺栓M8×16 | BOLT FLANGE M8×16 | 1 | | |
| 19 | GB6187-86 | 六角法兰自锁螺母M8 | NUT FLANGE M8 | 6 | | |
| 20 | KM204110000 | 后尾灯 | TAIL LAMP ASSY. | 2 | | |
| 21 | GB6187-86 | 六角法兰自锁螺母M6 | NUT FLANGE M6 | 4 | | |
| 22 | KA204160200-1 | 后左转向灯 | BEHIND LEFT TURNING LIGHT | 1 | | |
| 23 | KA204170200-1 | 后右转向灯 | BEHIND RIGHT TURNING LIGHT | 1 | | |
| 24 | KM004070000-1 | 主电缆 | MAIN WIRE HARNESS | 1 | | |
| 25 | KA204290000 | 二极管 | DIODE | 1 | | |
| 26 | KM004070000 | 蓄电池 | BATTERY | 1 | | |
| 27 | KM00140001A | 电瓶压板 | PRESSURE PLATE, BATTERY | 1 | | |
| 28 | KM003380000 | 蓄电池盖垫 | RUBBER BATTERY | 1 | | |

| NO. | Part NO. | Description | Description in English | 数量Qty | 价格Price | 备注Remark |
|-----|---------------|---------------|--------------------------|-------|---------|----------|
| 29 | GB6187-86 | 六角法兰螺栓 M8×98 | BOLT FLANGE M8×98 | 2 | | |
| 30 | KM003360000 | 蓄电池垫 | CUSHION, BATTERY | 1 | | |
| 31 | KB003010000 | 电器盒 | WIRING BOX | 1 | | |
| 32 | KM204280000-1 | 闪光灯 | FLASH INSTRUMENT | 1 | | |
| 33 | KM004040000 | 调压整流器 | RECTIFIER COMP, REGULATE | 1 | | |
| 34 | GB/T818-85 | 十字盘头螺钉M6×75 | BOLT M6×75 | 2 | | |
| 35 | KM204300000 | 牵引机 | WINCH | 1 | 可选 | |
| 36 | GB6187-86 | 六角法兰螺栓 M10×25 | BOLT FLANGE M10×25 | 2 | | |
| 37 | GB6187-86 | 六角法兰自锁螺母M10 | NUT FLANGE M10 | 2 | | |
| 38 | GB6187-86 | 六角法兰螺栓 M8×20 | BOLT FLANGE M8×20 | 2 | | |
| 39 | KM004150200 | 屏蔽线 | SPEED SENSOR CABLE | 1 | | |





| NO. | Part NO. | Description | Description in English | 数量Qty | 价格Price | 备注Remark |
|-----|-------------|--------------|-------------------------------|-------|---------|----------|
| 1 | KH003010000 | 仪表面板 | METER AND SWITCH BUTTON COVER | 1 | | |
| 2 | GB/T818-86 | 十字大盘头螺钉M6×20 | BOLT M10×20 | 31 | | |
| 3 | KM003440000 | φ6橡胶垫 | RUBBER WASHER (ø6) | 31 | | |
| 4 | GB/T97.1-86 | 小平垫6 | WASHER 6 | 3 | | |
| 5 | GB6187-86 | 六角法兰自锁螺母M6 | NUT FLANGE M6 | 25 | | |
| 6 | KH003090001 | 左护板 | BAFFLE OF LEFT SEAT | 1 | | |
| 7 | KH003090002 | 右护板 | BAFFLE OF RIGHT SEAT | 1 | | |
| 8 | GB/T876-86 | 铆钉 3×10 | RIVET 3×10 | 6 | | |
| 9 | KH003050000 | 手柄罩 | BAFFLE OF SHIFTER ASSY. | 1 | | |
| 10 | KH003060000 | 水箱罩 | COVER, RADIATOR | 1 | | |
| 11 | KH003070002 | 前右挡泥板 | FRONT FENDER, R | 1 | | |
| 12 | KH003070001 | 前左挡泥板 | FRONT FENDER, L | 1 | | |
| 13 | KH001160001 | 前右挡泥板支架 | BRACKET, FRONT FENDER, R | 1 | | |
| 14 | KH001160002 | 前左挡泥板支架 | BRACKET, FRONT FENDER, L | 1 | | |
| 15 | GB5787-86 | 六角法兰螺栓M10×25 | BOLT FLANGE M10×25 | 8 | | |
| 16 | GB/T93-87 | 弹垫10 | WASHER , SPRNG ø10 | 8 | | |
| 17 | GB6187-86 | 六角法兰自锁螺母M10 | NUT FLANGE M10 | 8 | | |
| 18 | KH003080002 | 后右挡泥板 | REAR FENDER, R | 1 | | |
| 19 | KH003080001 | 后左挡泥板 | REAR FENDER, L | 1 | | |
| 20 | KH001170001 | 后右挡泥板支架 | BRACKET, FRONT FENDER, R | 1 | | |
| 21 | KH001170002 | 后左挡泥板支架 | BRACKET, FRONT FENDER, L | 1 | | |

KINROAD KINROAD