

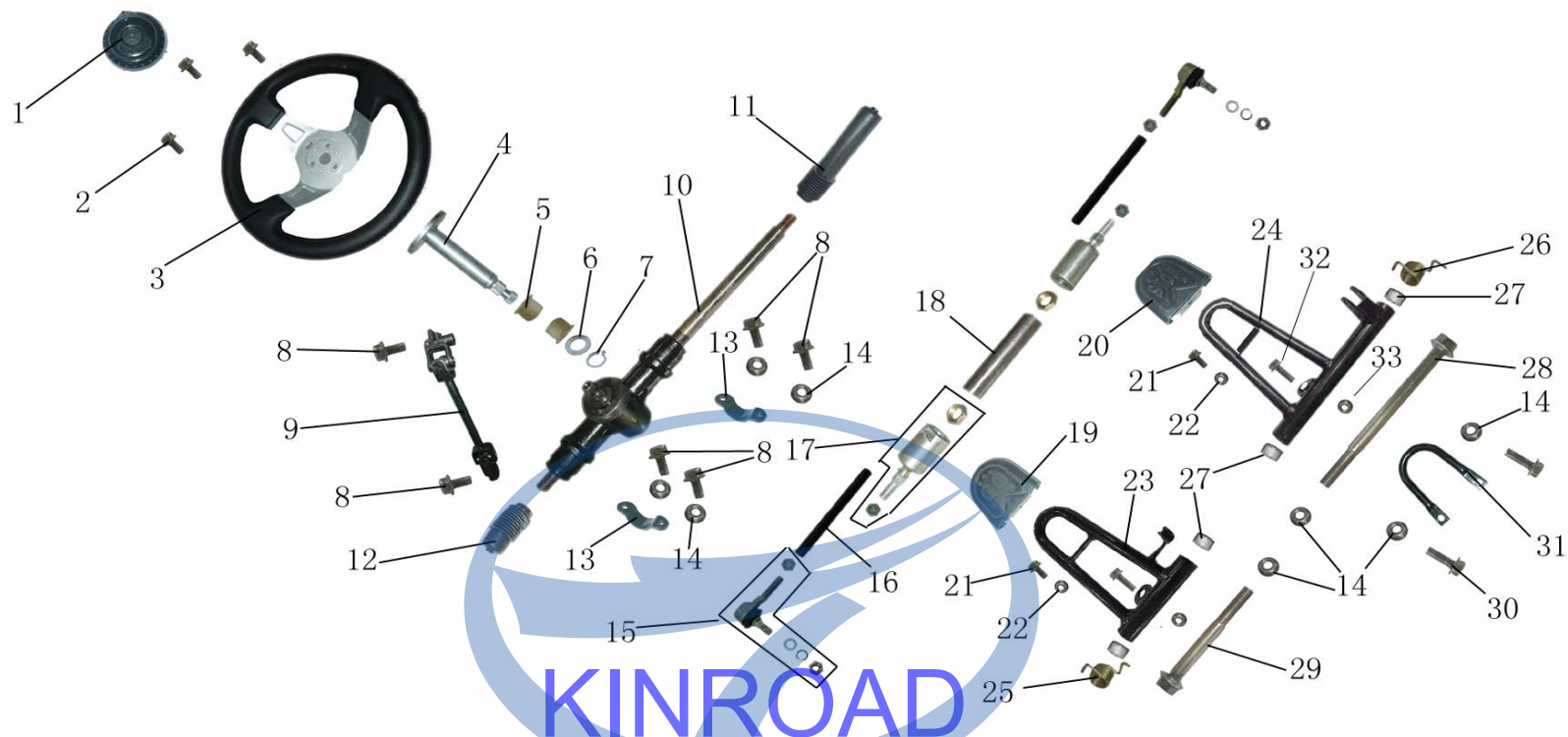
XT150GK-2卡丁车图解目录 (左方向、特大型)



序号	功能码	中文名称	英文名称	数量	备注
Ref. No	Function Code	Chinese Description	Part Name	Reqd. No.	Remark
1	KA101010000-2C	车架组件	FRAME COMP.	1	
2	KA00172001A	连杆	CONNECTING ROD	2	
3	KA00172001A-1	连杆垫	WASHER, CONNEECTING ROD	4	
4	KA00172001A-2	连杆衬套	BUSH, CONNECTING ROD	8	
5	KA101330030	倒档手柄	HANDLE BAR, REVERSE	1	
6	KA003380000	倒档器手柄套	COVER LEVER	1	
7	KA101330030-3	手刹手柄	HANDLE BAR, BRAKE	1	
8	KA003400000	倒档器手柄护套	COVER REVERSE LEVER	1	

9	KA106220000-1	油门线	CABLE COMP. THROTTLE	1	
10	KA106210000-2	手刹线	CABLE COMP. PARKING BRAKE	1	
11	KA106230000	倒档线	CABLE COMP. REMERSE	1	
12	GB/T882-86	B型销轴	PIN	2	
13	KA106220100-1	支架	BRACKET	2	
14	GB/T91-86	开口销 1.6×16	PIN 1.6×16	2	
15	KA003080000-1	面板	COVER. SWITCH	1	
16	KA004190000	点烟器	CIGAR LIGHTER	1	
17	KC004010000	喇叭开关	HORN BUTTON	1	
18	KA004030000	照明开关	TOPLIGHT SWITCH	1	
19	KA004020000	熄火开关	ENGINE STOP BUTTON	1	
20	KA004010000	点火锁	KEY SET-IGNITION SWITCH COMP.	1	
21	KA004100000	大灯组件	HEAD LAMP ASSY.	2	
22	KA003330000	脚踏橡胶板	FOOT PLATE. RUBBER	4	
23	KA003330100	脚踏橡胶板螺钉	BOLT, FOOT PLATE. RUBBER	8	
24	KA003330200	脚踏橡胶板垫片	WASHER, FOOT PLATE. RUBBER	8	
25	KA003330300	脚踏橡胶板螺母	NUT, FOOT PLATE. RUBBER	8	
26	GB5787-86	六角法兰螺栓 M8×16	BOLT, FLANGE M8×16	8	
27	GB5787-86	六角法兰螺栓M6×16	BOLT, FLANGE M6×16	1	
28	KA204180000	喇叭	HORN	1	
29	GB/T818-85	十字盘头螺钉M6×16	BOLT, M6×16	4	
30	GB6187-86	六角法兰自锁螺母M6	NUT FLANGE M6	3	
31	GB5787-86	六角法兰螺栓M5×16	BOLT, FLANGE M5×16	4	
32	GB6187-86	六角法兰自锁螺母M5	NUT FLANGE M5	4	
33	GB6187-86	六角法兰自锁螺母M8	NUT FLANGE M8	2	
34	KA204260000	油量表	FUEL METER	1	
35	KA004150000	转速表	SPEEDOMETER	1	

F-02

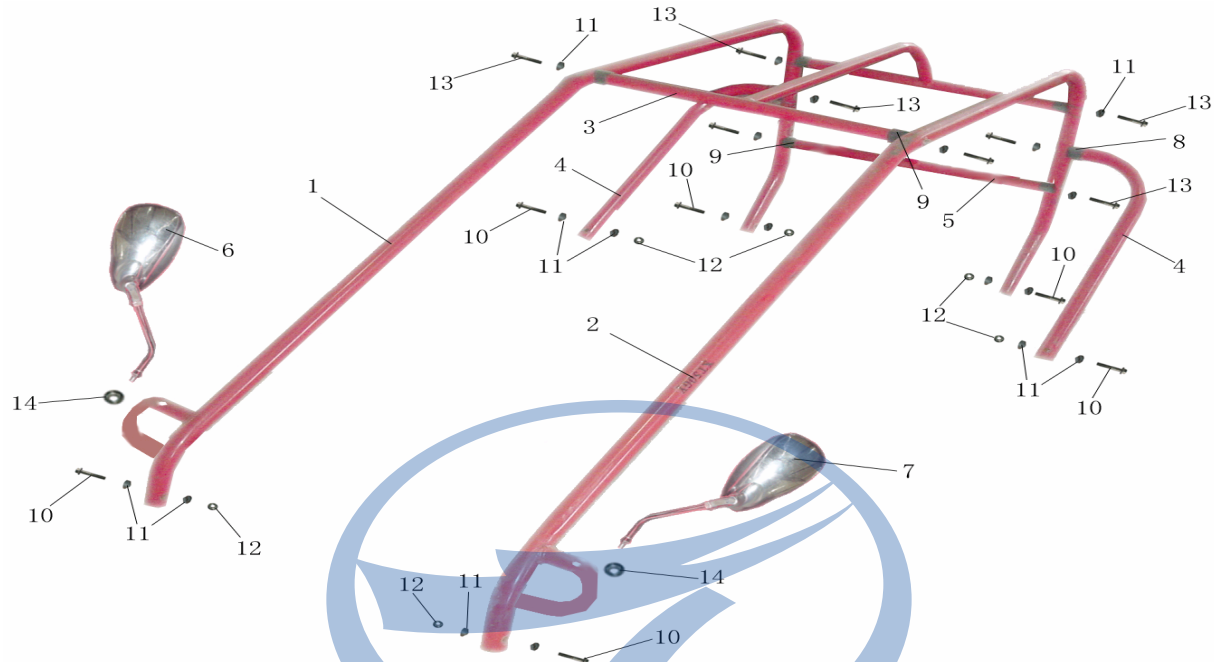


序号	功能码	中文名称	英文名称	数量	备注
Ref. No	Function Code	Chinese Description	Part Name	Reqd. No.	Remark
1	KA003020000	变向器螺栓盖	COVER STEERING COMP.	1	
2	GB5787-86	六角法兰螺栓M6×12	BOLT, FLANGE M6×12	3	
3	KA003310000	方向盘	STEERING COMP.	1	
4	KA10171001A	边向轴	STEERING SHAFT	1	
5	KA101021000	方向柱尼龙衬套	BUSH. STEERING SHAFT	2	
6	GB/T95-85	平垫Φ20	WASHER ø20	1	
7	GB/T894-86	轴用弹性挡圈	CIRCLIP ø20	1	
8	GB5787-86	六角法兰螺栓M8×25	BOLT, FLANGE M8×25	6	
9	KA006010400-2	转向关节轴	SEEERING KNUCKLE	1	
10	KA10601011A	变向箱	STEERING GEAR	1	
11	KA006010300	防尘盖	DUST COVER. R. BALL JOINT	1	
12	KA106010300	防尘盖I	DUST COVER. L. BALL JOINT	1	
13	KA00153001A	变向器固定板	STEERING GEAR BRACKET	2	
14	GB6187-86	六角法兰自锁螺母M8	NUT FLANGE M8	8	
15	KA10601111A	连接杆球头	ROD END	2	

16	KA10601051A-1	左、右连接杆	TIE ROD	2	
17	KA006010240	万向节	STEERING BALL JOINT	2	
18	KA10601121A	限位套筒	SLEEVE	2	
19	KA003320000	油门脚踏橡胶套	PUSH ROD, MASTER	1	
20	KA003320000-1	刹车脚踏橡胶套	RUBBER, PAD	1	
21	GB5787-86	六角法兰螺栓M5×16	BOLT, FLANGE M5×16	4	
22	GB6187-86	六角法兰自锁螺母M5	NUT FLANGE M5	4	
23	KA00115001A	节气门踏板组件	PEDAL COMP., THROTTLE	1	
24	KA00116001A	刹车踏板组件	PEDAL COMP., BRAKE	1	
25	KA001820030	节气门踏杆扭簧	SPRING, THROTTLE PEDAL	1	
26	KA001810030	刹车踏杆扭簧	SPRING, BRAKE PEDAL	1	
27	KA101024000	踏板减震环	COLLAR, PEDAL	4	
28	53391-BCA0-0000-0C	刹车踏杆螺栓 M8×221	BOLT M8×221	1	
29	53393-BCA0-0000-0C	节气门螺栓 M8×145	BOLT M8×145	1	
30	GB5787-86	六角法兰螺栓 M8×35	BOLT, FLANGE M8×35	2	
31	KA101350000	刹车泵保护支架	BRACKET, CYLINDER ASSY,	1	
32	GB5787-86	六角法兰螺栓 M8×40	BOLT, FLANGE M8×40	2	
33	GB6170-86	六角螺母M8	NUTM8	2	

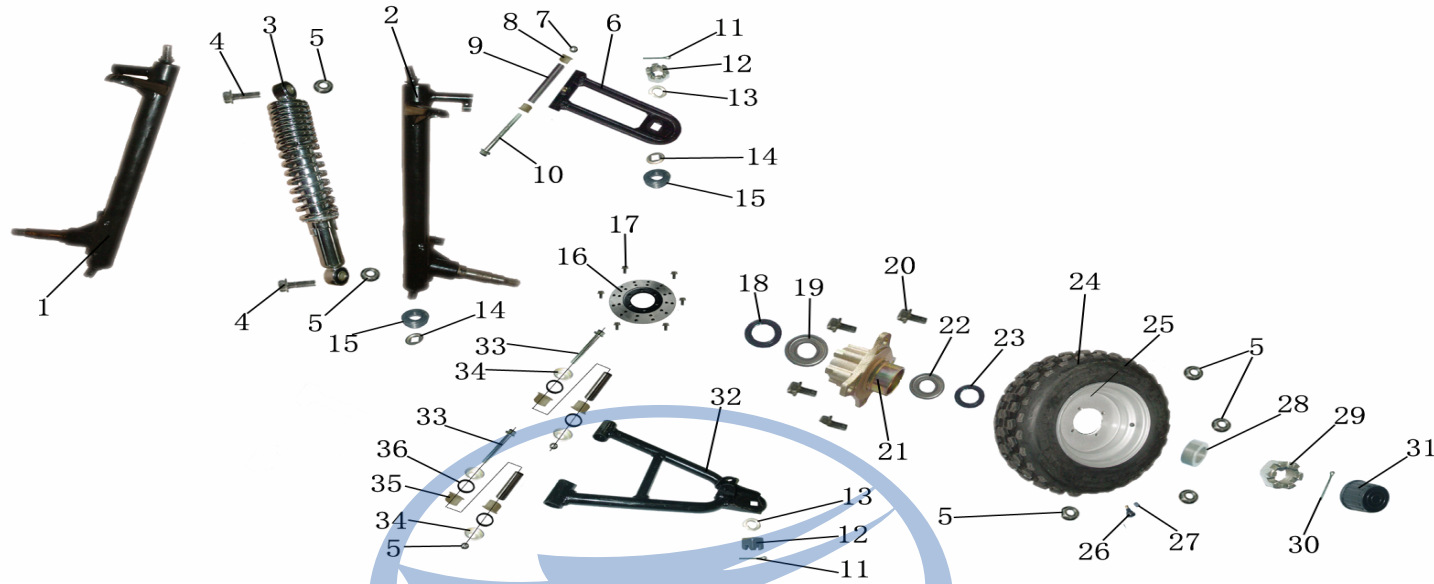
KINROAD

F-03



序号 Ref. No	功能码 Function Code	中文名称 Chinese Description	英文名称 Part Name	数量 Reqd. No.	备注 Remark
1	KA101020000	右保险杠架	RIGHT BRUSH GUARD BAR ,MAIN	1	
2	KA101020100	左保险杠架	LEFT BRUSH GUARD BAR ,MAIN	1	
3	KA101080000	前护杆	LEFT BRUSH GUARD BAR ,MAIN	1	
4	KA101110000	保护杆	BRUSH GUARD BAR ,RR	2	
5	KA101070000	保险杠横杆	BRUSH GUARD BAR ,CENTER	1	
6	KA204250200	右后视镜	RIGHT REARVIEW MIRROR	1	
7	KA204250100	左后视镜	LEFT REARVIEW MIRROR	1	
8	KA003060000	防护杆衬套 (ø32)	BUSH, BRUSH GUARD BAR (ø32)	2	
9	KA003070000	防护杆衬套 (ø 25)	BUSH, BRUSH GUARD BAR (ø25)	6	
10	GB5787-86	六角法兰螺栓 M8×50	BOLT FLANGE M8×50	6	
11	50199-BCA0-0000-0C	R-垫	R-WASHER	20	
12	GB6187-86	六角法兰自锁螺母 (M8)	LOCK NUT FLANGE (M8)	6	
13	GB5787-86	六角法兰螺栓 M8×55	BOLT FLANGE M8×55	8	
14	GB6187-86	六角法兰自锁螺母 (M10)	LOCK NUT FLANGE (M10)	2	

F-04



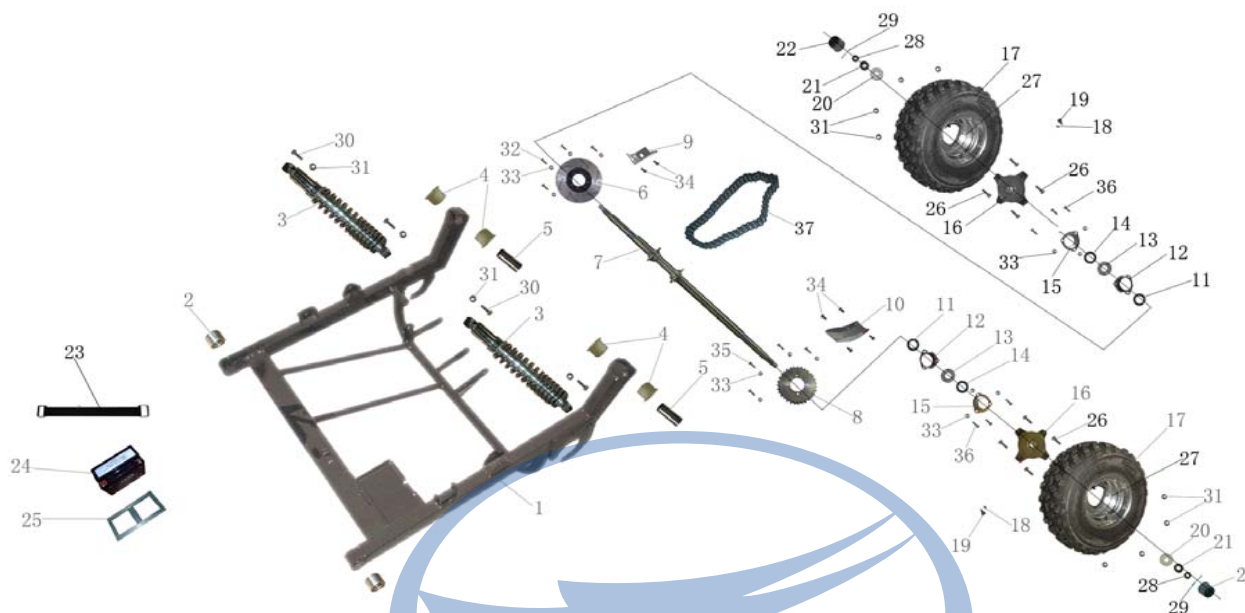
序号	功能码	中文名称	英文名称	数量	备注
Ref. No	Function Code	Chinese Description	Part Name	Reqd. No.	Remark
1	KA00603001A	右支撑轴	KNUCKLE SUPPORT, RH	1	
2	KA00602001A	左支撑轴	KNUCKLE SUPPORT, LH	1	
3	KA00631001B	前减震器	ABSORBER ASSY. FR.	2	
4	GB5787-86	六角法兰螺栓 M10×40×1.25	BOLT FLANGE M10×40×1.25	4	
5	GB6187-86	六角法兰自锁螺母 (M10×1.25)	LOCK NUT FLANGE M10×1.25	16	
6	KA10117001A-1	上悬挂臂组件	SUSPENSION ARM COMP, UPPER	2	
7	GB6187-86	六角法兰自锁螺母 M8	LOCK NUT FLANGE M8	2	
8	KA101023000	上摆臂尼龙衬套	BUSH, ARM ASSY., UPPER	4	
9	KA101010300	前上摆臂套筒内心管	SPACER, CENTER	2	
10	51191-BCA0-0000-0C	上悬挂臂安装螺栓 M8×105	BOLT M8×105	2	
11	GB/T91-86	开口销1.6×30	PIN 1.6×30	4	
12	GB6178-86	六角开槽螺母M12×1.25	NUT M12×1.25	4	
13	GB/T93-87	弹垫12	SPRING WASHER 12	4	
14	KA001590030	隔环	SPACER, BALL HEAD	4	
15	KA003340000	转向轴防尘罩	RUBBER DUST COVER	4	
16	KA105310100-2	刹车碟	DISC, FR. BRAKE	2	
17	GB5783-2000	六角头螺栓M6×12	BOLT M6×12	12	
18	KA005440000	油封 47×25-7	DUST SEAL 47×25-7	2	
19	KA005520000	轴承 6204	BEARING 6204	2	

20	44901-BCA0-0000-0C	辐板轮安装螺栓 M10	BOLT, TIRE M10	8	
21	KA005040030	前轮毂	HUB, FR. WHEEL	2	
22	96100-62030	轴承 6203	BEARING 6203	2	
23	91202-BCA0-0000	油封 42×27-7.3	DUST SEAL 42×27-7.3	2	
24	KA005030000	真空胎21" ×7" -10"	TIRE, FR. 21" ×7" -10"	2	
25	KA005010000	前辐板轮	RIM, FR.	2	
26	KA005030100	气门嘴	INTAKE, TIRE	2	
27	KA005030200	气门嘴帽	CAP, TIRE INTAKE	2	
28	44301-BCA0-0000-0C	前轮衬套	SPACER, FR. HUB	2	
29	GB6178-86	六角开槽螺母M14×1.5	NUT M14×1.5	2	
30	GB/T91-86	开口销2.5×30	PIN 2.5×30	2	
31	KA003350000	后轮轴盖	CAP, FR. WHEEL	2	
32	KA10118001A	下悬挂臂总成	SUSPENSION ARM COMP, LOWER	2	
33	51291-BCA0-0000-0C	下悬挂臂安装螺栓 M10×80	BOLT M10×80	4	
34	KA101022000	下摆臂尼龙衬套	BUSH, SUSPENSION ARM LOWER	8	
35	KA001670030	下悬挂臂防尘盖	DUST CAP, SUSPENSION LOWER	8	
36	KA003410000	O型圈Φ20×Φ2.5	RUBBER RING Φ20×Φ2.5	8	

KINROAD

KINROAD

F-05



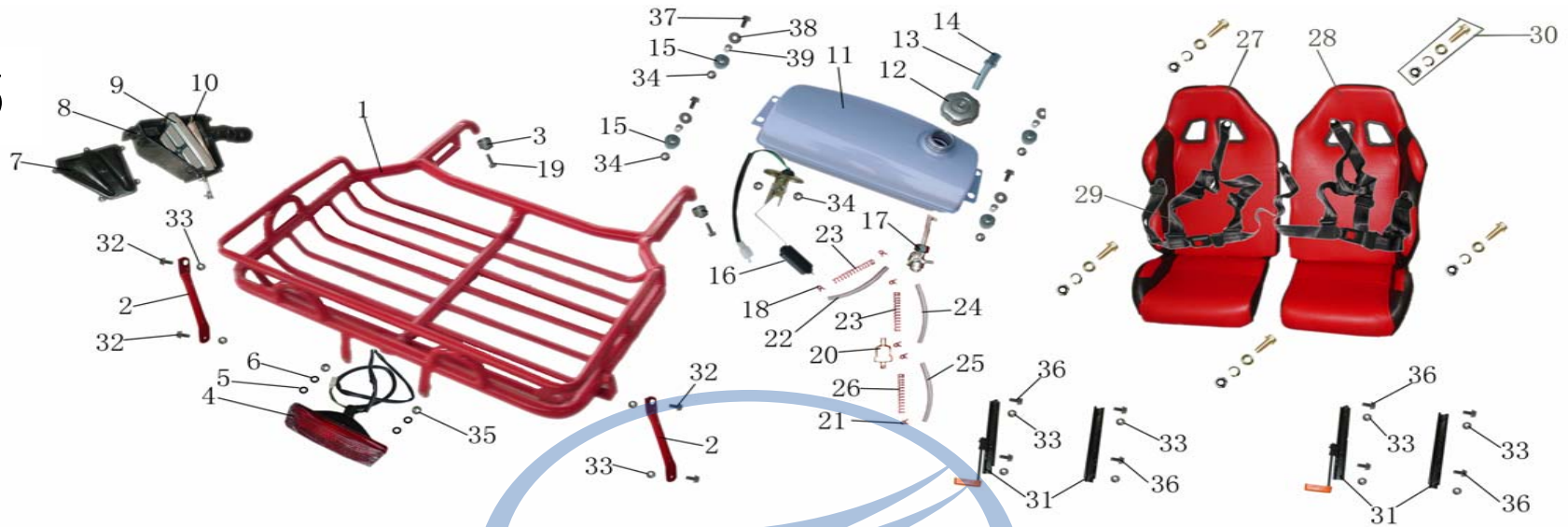
序号	功能码	中文名称	英文名称	数量	备注
Ref. No	Function Code	Chinese Description	Part Name	Reqd. No.	Remark
1	KA00119001A	后摇架组件	REAR SWING ARM COMP.	1	
2	KA101010100	缓冲套	RUBBER BUSH, SWING ARM	2	
3	KA00632001B	后减震器	ABSORBER ASSY. RR.	2	
4	KA101020000	下悬挂尼龙衬套	BUSH, REAR SWING ARM	4	
5	KA101010400	后下发动机摆臂连接套筒心套	SPACER, CENTER	2	
6	KA105310200-2	后碟刹盘组件	DISC, RR. BRAKE	1	
7	KA005060030	后轮轴	AXLE COMP., RR.	1	
8	KA005220030	后链轮	REAR SPROCKET	1	
9	KA00164001A	碟刹盘罩	COVER DISC, RR. BRAKE	1	
10	KA00163001A	后链轮罩	COVER REAR SPROCKET	1	
11	KA005430000	油封 50×34-7	DUST SEAL 50×34-7	2	
12	KA005070030	后轮轴承座	HOUSING COMP, RR. AXLE BRG	2	
13	KA005530000	轴承 6206 RZ	BEARING 6206 RZ	2	
14	KA005420000	油封28×42-7	DUST SEAL 42×28-7.3	2	
15	KA001570030	后轮轴承座盖	BEARING BASE	2	
16	KA005050030	后轮毂	HUB, RR. AXLE	2	
17	KA005040000	真空胎 22×11-10	TIRE, RR. 22×11-10	2	
18	KA005030200	气门嘴帽	CAP, TIRE INTAKE	2	
19	KA005030100	气门嘴	INTAKE, TIRE	2	

20	KA001580030	后轮帽座	HOLDER, RR. WHEEL CAP	2	
21	94110-17B01-0C	平垫 (ø16)	FLAT WASHER(ø16.5)	2	
22	KA003350000	后轮轴盖	CAP, RR. WHEEL	2	
23	KA001600030	蓄电池绑带	PRESSURE PLATE, BATTERY	1	
24	KA004070000	蓄电池	BATTERY	1	
25	KA003360000	蓄电池垫	CUSHION, BATTERY	1	
26	44901-BCA0-0000-0C	辐板轮安装螺栓 (M10)	BOLT, TIRE (M10)	8	
27	KA005020000	后辐板轮10-8	RIM, REAR	2	
28	GB6178-86	六角开槽螺母M16×1.5	NUT M16×1.5	2	
29	GB/T91-86	开口销3.2×32	PIN3.2×32	2	
30	GB5787-86	六角法兰螺栓 M10×40	BOLT FLANGE M10×40	4	
31	GB6187-86	六角法兰自锁螺母 M10	LOCK NUT FLANGE M10	12	
32	GB5787-86	六角法兰螺栓 M8×25	BOLT FLANGE M8×20	4	
33	GB6187-86	六角法兰自锁螺母 M8	LOCK NUT FLANGE M8	14	
34	GB5787-86	六角法兰螺栓M8×16	BOLT FLANGE M8×16	6	
35	GB5787-86	六角法兰螺栓 M8×35	BOLT FLANGE M8×35	4	
36	GB5787-86	六角法兰螺栓 M8×40	BOLT FLANGE M8×40	6	
37	KA005230000	链条10A	DRIVE CHAIN	2	

KINROAD

KINROAD

F-06

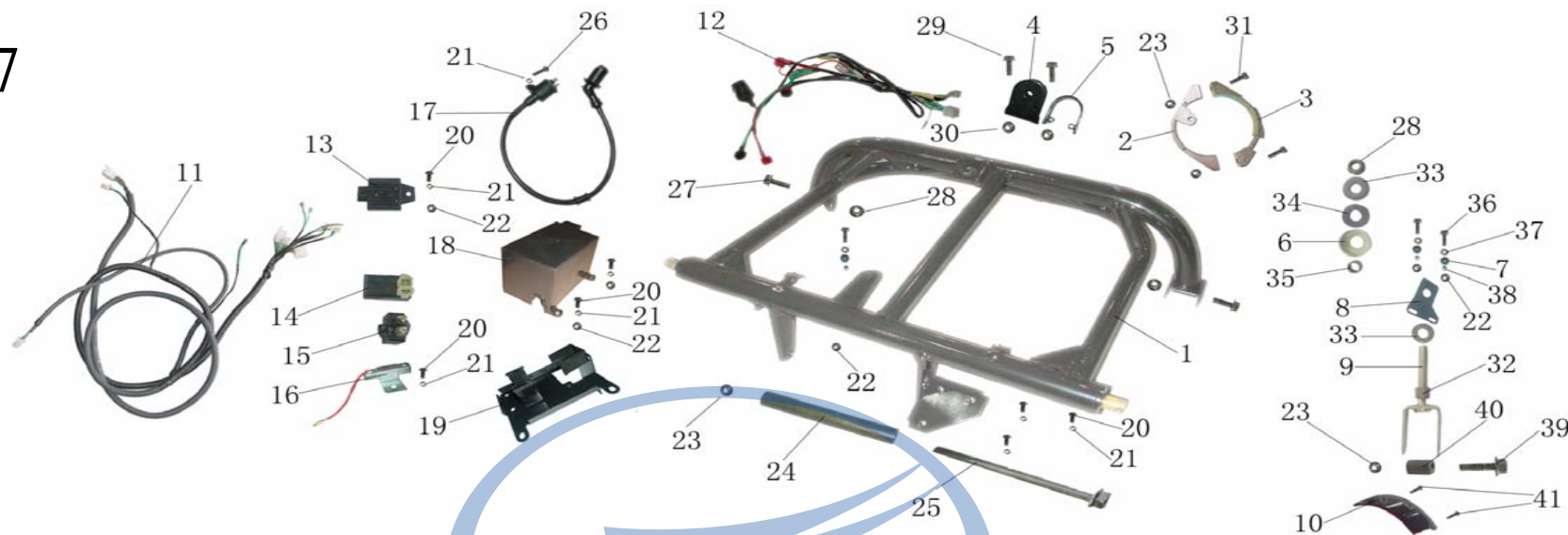


序号	功能码	中文名称	英文名称	数量	备注
Ref. No	Function Code	Chinese Description	Part Name	Reqd. No.	Remark
1	KA101130000	后储物架组件	CARRIER COMP., REAR	1	
2	KA101140000	后储物架支架	SUPPORTER, CARRIER	2	
3	KA003070000	防护杆衬套 (ø 25)	BUSH, BRUSH GUARD BAR (ø25)	2	
4	KA004110000	后尾灯	TAIL LAMP ASSY.	1	
5	KA003100000	后尾灯绝缘垫A	INSULATING PAD A, TAIL LIGHT	2	
6	KA003110000	后尾灯绝缘垫B	INSULATING PAD B, TAIL LIGHT	2	
7	KA002030100	空滤器盖	COVER, AIR CLEANER	1	
8	KA002030000	空滤器组件	CASE COMP., AIR CLEANER	1	
9	KA002030100	海绵	ELEMENT, AIR CLEANER	1	
10	KA002030100	空滤器网	TRAP COMP, AIR CLEANER	1	
11	KA202060000	油箱	TANK, COMP. FUEL	1	
12	KA002060100	油箱盖	CAP, COMP. FUEL TANK	1	
13	KA003220000	导流管	TUBE COMP. VACUUM	1	
14	KA002070000	止回阀	CHECK VALVE	1	
15	KA003370000	油箱橡胶圈	RUBBER RING	4	
16	KA004180000	油位传感器	FUEL SENSOR	1	
17	KA002080000	油箱开关	COCK, FUEL ASSY.	1	
18	KA001870050	气管卡簧	CIRCLIP, AIR PIPE	2	
19	GB5787-86	六角法兰螺栓 M8×55	BOLT FLANGE M8×55	2	

20	KA002090000	过滤器	FILTER	1	
21	KA001860050	油管卡簧	CIRCLIP, FUEL TUBE	4	
22	KA003230000	气管	TUBE COMP. VACUUM	1	
23	KA001850050	保护网I	TUBE SPRING I	2	
24	KA003210100	油管I	TUBE COMP. FUEL. I	1	
25	KA003210200	油管II	TUBE COMP. FUEL. II	1	
26	KA001830050	保护网II	TUBE SPRING II	1	
27	KA107010100-2	右座垫	RIGHT SEAT ASSY	1	
28	KA107010200-2	左座垫	LEFT SEAT ASSY	1	
29	KA107080000-1	五点式保险带	BELT. SAFETY	1	
30	KA107080100-1	保险带附件	BOLT BELT. SAFETY	5	
31	KA20705001A	滑轨	RAIL SET. SEAT	2	
32	GB5787-86	六角法兰螺栓 M8×25	BOLT FLANGE M8×25	4	
33	GB6187-86	六角法兰自锁螺母 M8	LOCK NUT FLANGE M8	12	
34	GB6187-86	六角法兰自锁螺母 M6	LOCK NUT FLANGE M6	6	
35	GB6187-86	六角自锁螺母 (M5)	NUT FLANGE M5	2	
36	GB5787-86	六角法兰螺栓 M8×16	BOLT FLANGE M8×16	8	
37	GB5787-86	六角法兰螺栓 M6×30	BOLT FLANGE M6×30	4	
38	GB/T95-87	平垫 φ6	FLAT WASHER φ6	4	
39	17519-BCA0-0000-0C	安装衬套	COLLAR, INNER	4	

KINROAD

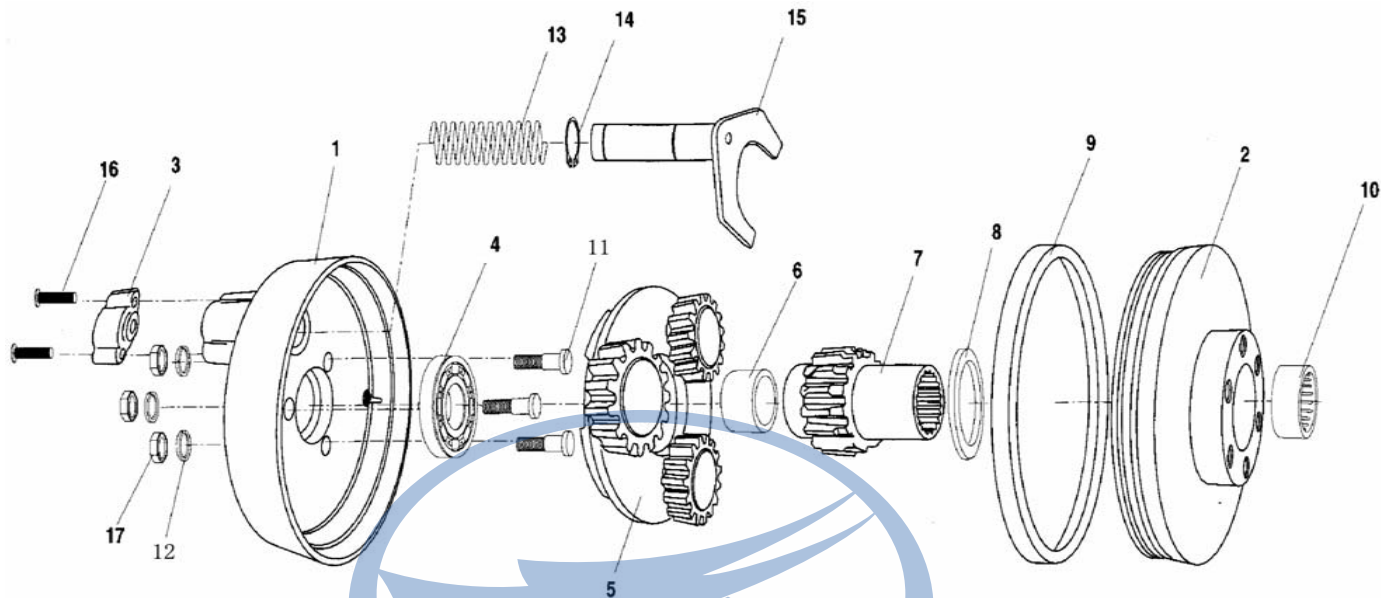
F-07



序号	功能码	中文名称	英文名称	数量	备注
Ref. No	Function Code	Chinese Description	Part Name	Reqd. No.	Remark
1	KA00120001A	后摆臂组件	SWING ARM COP., TOP	1	
2	KA001740030	吊杆上压板	UPPER PRESSURE PLATE, ENGINE HAN	1	
3	KA001730030	吊杆下压板	MOUNTING PLATE, ENGINE HANGER	1	
4	KA00119011A-1	拖车挂钩I	TOW BALL I	1	
5	KA00119011A	拖车挂钩II	TOW BALLII	1	
6	KA001550030	缓冲器座	SPACER, ENGINE MOUNT LINK	1	
7	KA003370000	油箱橡胶圈	RUBBER RING	4	
8	KA00151001A	空滤器固定板	BRACKET, AIR CLEANER ASSY	1	
9	KA001320030	吊杆	LINK COMP, ENGINE MOUNT	1	
10	KA00162001A	驱动链轮罩	COVER, DRIVE SPROCKET	1	
11	KA104120000-2	主电缆	MAIN WIRE HARNESS	1	
12	KA004130000	副电缆	SUB-WIRING HARNESS	1	
13	KA004040000	调压整流器	RECTIFIER COMP, REGULATE	1	
14	KA004080000	C. D. I. 点火器	C. D. I. UNIT	1	
15	KA004050000	起动继电器	STARTING RELAY	1	
16	KA004060000	电阻	RESISTOR 10W 10Ω	1	
17	KA004090000	高压包	COIL COMP. IGNITION	1	
18	KA003010000	电器盒	COVER, ELECTRIC BOX	1	
19	KA00131001A	电器安装盒	BOX COMP, ELECTRIC	1	

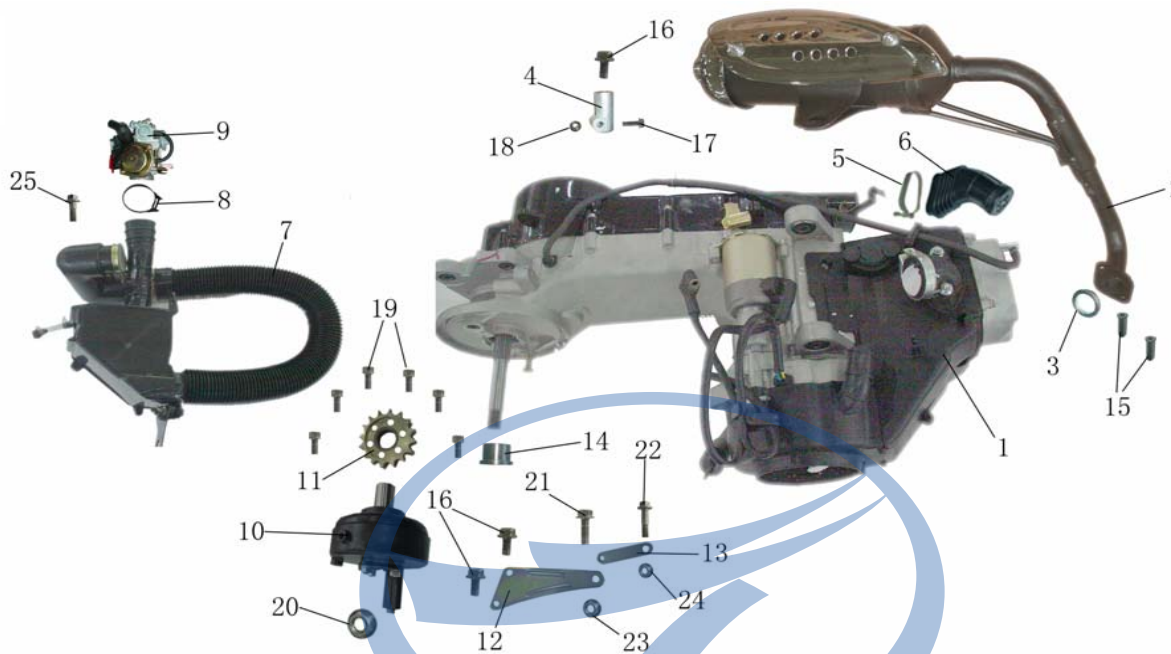
20	GB/T818-85	十字盘头螺钉M6×16	BOLT M6×16	7	
21	GB/T93-87	弹垫6	WASHER , SPRING ø6	8	
22	GB6187-86	六角法兰自锁螺母 M6	LOCK NUT FLANGE M6	6	
23	GB6187-86	六角法兰自锁螺母 M10×1.25	LOCK NUT FLANGE M10 ×1.25	4	
24	52121-BCA0-0000-0C	吊架轴衬套	SPACER, ENGINE MOUNT	1	
25	52129-BCA0-0000-0C	吊架轴 M10×191	BOLT M10×191	1	
26	GB/T818-85	十字盘头螺钉M6×25	BOLT M6×25	7	
27	GB5787-86	六角法兰螺栓 M12×60×1.25	BOLT FLANGE M12×60×1.25	2	
28	GB6187-86	六角法兰自锁螺母 (M12×1.25)	LOCK NUT FLANGE M12 ×1.25	3	
29	GB5787-86	六角法兰螺栓M8×45	BOLT FLANGE M8×45	2	
30	GB6187-86	六角法兰自锁螺母 M8	LOCK NUT FLANGE M8	2	
31	GB/T70-86	内六角螺栓M10×1.25×45	BOLT, HEX IN M10×1.25×45	2	
32	90293-BCA0-0000-0C	调整螺母 M12×1.25	NUT, ENGINE MOUNT LINK M12×1.25	1	
33	52155-BCA0-0000	缓冲器垫圈	WASHER, BUFFER PAD	2	
34	KA003390000	吊架缓冲橡胶圈	BUFFER PAD, ENGINE MOUNT LINK	1	
35	52152-BCA0-0000-0C	隔震环	COLLAR, ENGINE MOUNT LINK	1	
36	GB5787-86	六角法兰螺栓 M6×30	BOLT FLANGE M6×30	3	
37	GB/T95-87	平垫φ6	FLAT WASHER ø6	3	
38	17519-BCA0-0000-0C	安装衬套	COLLAR, INNER	3	
39	90191-BCA0-0001-0C	吊杆安装螺栓 M10×52	BOLT FLANGE M10×52	1	
40	50333-BCA0-0000	吊杆安装尼龙衬套	COLLAR, ENGINE MOUNTING LINK	1	
41	GB/T818-85	十字盘头螺钉M5×8	BOLT M5×8	2	

F-08



序号	功能码	中文名称	英文名称	数量	备注
Ref. No	Function Code	Chinese Description	Part Name	Reqd. No.	Remark
1	24810-BCA0-0000	右齿轮箱	GEAR CASE , R	1	
2	24820-BCA0-0000	左齿轮箱	GEAR CASE , L	1	
3	24840-BCA0-0000	档线固定盖	COVER, GEAR SHITING YOKE	1	
4	91001-60030-0000	轴承	BEARING 6003 DDU	1	
5	24830-BCA0-0000	齿轮轴组件	COURTER GEAR SHAFT COMP .	1	
6	24832-BCA0-0000	驱动齿轮衬套	BUSHING, DRIVE GEAR	1	
7	24831-BCA0-0000	驱动齿轮	DRIVE GEAR	1	
8	24833-BCA0-0000	驱动齿轮隔环	COLLAR, DRIVE GEAR	1	
9	24839-BCA0-0000	油封	RUBBER OIL SEAR	1	
10	91111-BCA0-0000	滚针轴承HK2820	NEEDLE BEARING 28×35×20	1	
11	90191-BCA0-0000	螺栓M8×40	BOLT, M8×40	3	
12	GB/T93-87	弹垫8	WASHER , SPRING ø8	3	
13	24838-BCA0-0000	换档弹簧	SPRING, GEAR SHITING YOKE	1	
14	94510-12000-0E	卡簧	CIRCLIP (φ 12)	1	
15	24837-BCA0-0000	换档拨叉	GEAR SHITING YOKE	1	
16	93600-06020-0B	十字盘头螺钉M6×20	BOLT, M6×20	2	
17	94010-08B01-0A	六角自锁螺母	NUT HEX 8MM	3	

F-09

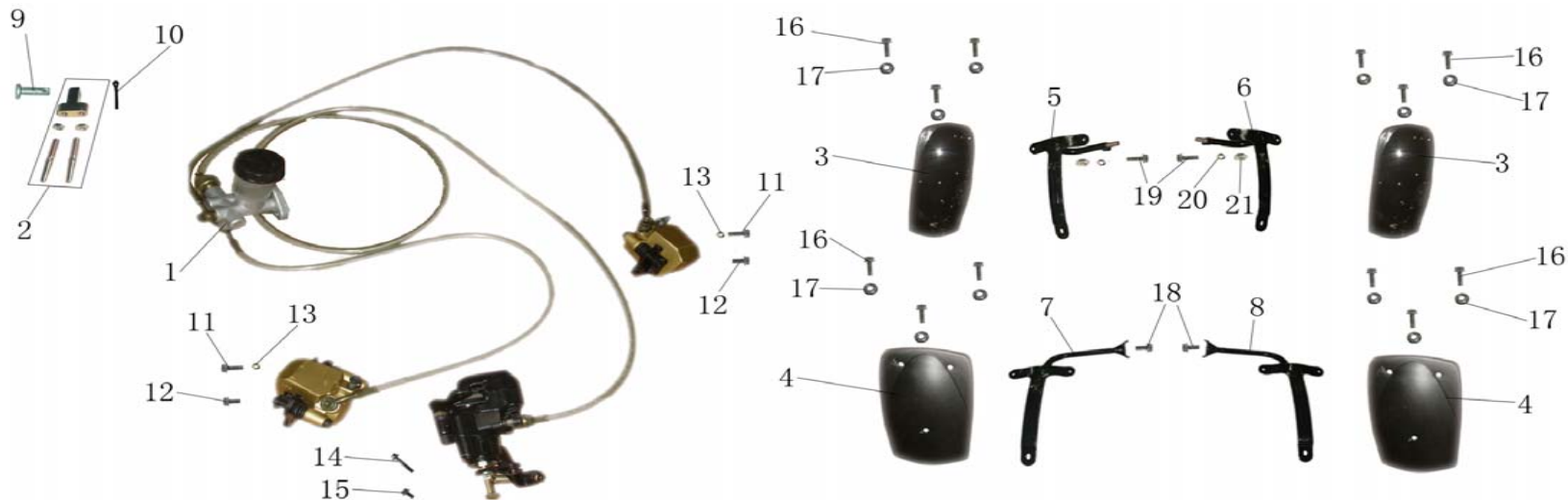


序号	功能码	中文名称	英文名称	数量	备注
Ref. No	Function Code	Chinese Description	Part Name	Reqd. No.	Remark
1	KA002010000-1	发动机	ENGINE ASSY	1	
2	KA002030000	排气消声器总成	MUFFLER COMP., EX	1	
3	KA002040100	排气管密封垫	GASKET, EX. PIPE	1	
4	KA001710030	排气管连接衬套	RACK SUPPORT, MUFFLER	1	
5	KA002050100	吸风管卡箍	CLAMP	1	
6	KA002050000	吸风管	BOOT, SIDE CASE	1	
7	KA002030000	空滤器	AIR CLEANR ASSY.	1	
8	KA002030100	空滤器卡箍	CIRCLIP COMP.	1	
9	KA002020000	化油器	CARBURETOR ASSY	1	
10	KA00561001A	倒挡器总成	REVERSE ASSY.	1	
11	KA005210030	驱动链轮	DRIVE SPROCKET	1	
12	KA001650130	倒挡器安装板	BRACKET, REVERSE	1	
13	KA001650230	倒挡器挂臂	BRACKET ARM, REVERSE	1	
14	23808-BCA0-0010-0C	倒挡器安装套	SPACER, REVERSE	1	
15	90301-TCB0-0000-0C	消声器长螺母 M6×35	NUT, MUFFLER JOINT, M6×35	2	
16	GB5787-86	六角法兰螺栓 M10×1.25×25	BOLT FLANGE M10×1.25×25	3	

17	GB5787-86	六角法兰螺栓 M6×25	BOLT FLANGE M6X25	1	
18	GB6187-86	六角法兰自锁螺母 (M6)	LOCK NUT FLANGE (M6)	1	
19	GB/T70-86	内六角螺钉M8×35	BOLT, HEX IN	6	
20	GB6187-86	六角法兰自锁螺母 (M16×1.5)	LOCK NUT FLANGE (M16×1.5)	1	
21	GB5787-86	六角法兰螺栓 M10×1.25×35	BOLT FLANGE M10×1.25×35	1	
22	GB5787-86	六角法兰螺栓 M8×40	BOLT FLANGE M8×40	1	
23	GB6187-86	六角法兰自锁螺母 (M10)	LOCK NUT FLANGE (M10)	1	
24	GB6187-86	六角法兰自锁螺母 (M8)	LOCK NUT FLANGE (M8)	1	
25	GB5787-86	六角法兰螺栓 M8×16	BOLT FLANGE M8X16	1	



F-10



序号	功能码	中文名称	英文名称	数量	备注
Ref. No	Function Code	Chinese Description	Part Name	Reqd. No.	Remark
1	KA105310000-2	制动泵总成	FOUR-CALIPER BRAKE ASSY	1	
2	KA105310100-2	主压杆	PUSH ROD, MASTER	1	
3	KA003130000	前挡泥板	BRACKEY, FRONT FENDER	2	
4	KA003140000	后挡泥板支架	REAR FENDER	2	
5	KA00135001A	前左挡泥板支架	FRONT FENDER, L	1	
6	KA00136001A	前右挡泥板支架	FRONT FENDER, R	1	
7	KA00137001A	左后挡泥板支架	REAR FENDER, L	1	
8	KA00138001A	右后挡泥板支架	REAR FENDER, R	1	
9	GB/T882-86	B型销轴(带销孔 $\phi 2$) 6×30	PIN 6×30	1	
10	GB/T91-86	开口销 1.6×16	PIN 1.6×16	1	
11	GB5787-86	六角法兰螺栓 $M8 \times 35$	BOLT FLANGE $M8 \times 35$	2	
12	GB5787-86	六角法兰螺栓 $M8 \times 25$	BOLT FLANGE $M8 \times 25$	2	
13	GB/T93-87	弹垫8	WASHER ,SPRTNG $\phi 8$	2	
14	GB5787-86	六角法兰螺栓 $M8 \times 96$	BOLT FLANGE $M8 \times 96$	1	
15	GB5787-86	六角法兰螺栓 $M8 \times 12$	BOLT FLANGE $M8 \times 12$	1	
16	GB5787-86	六角法兰螺栓 $M6 \times 16$	BOLT FLANGE $M6 \times 16$	12	
17	GB6187-86	六角法兰自锁螺母 (M6)	LOCK NUT FLANGE (M6)	12	
18	GB5787-86	六角法兰螺栓 $M8 \times 16$	BOLT FLANGE $M8 \times 16$	2	
19	GB5787-86	六角法兰螺栓 $M6 \times 35$	BOLT FLANGE $M6 \times 35$	2	
20	GB/T93-87	弹垫6	WASHER ,SPRTNG $\phi 6$	2	

21	GB6170-86	六角螺母M6	NUTM6	2	
----	-----------	--------	-------	---	--

KINROAD