

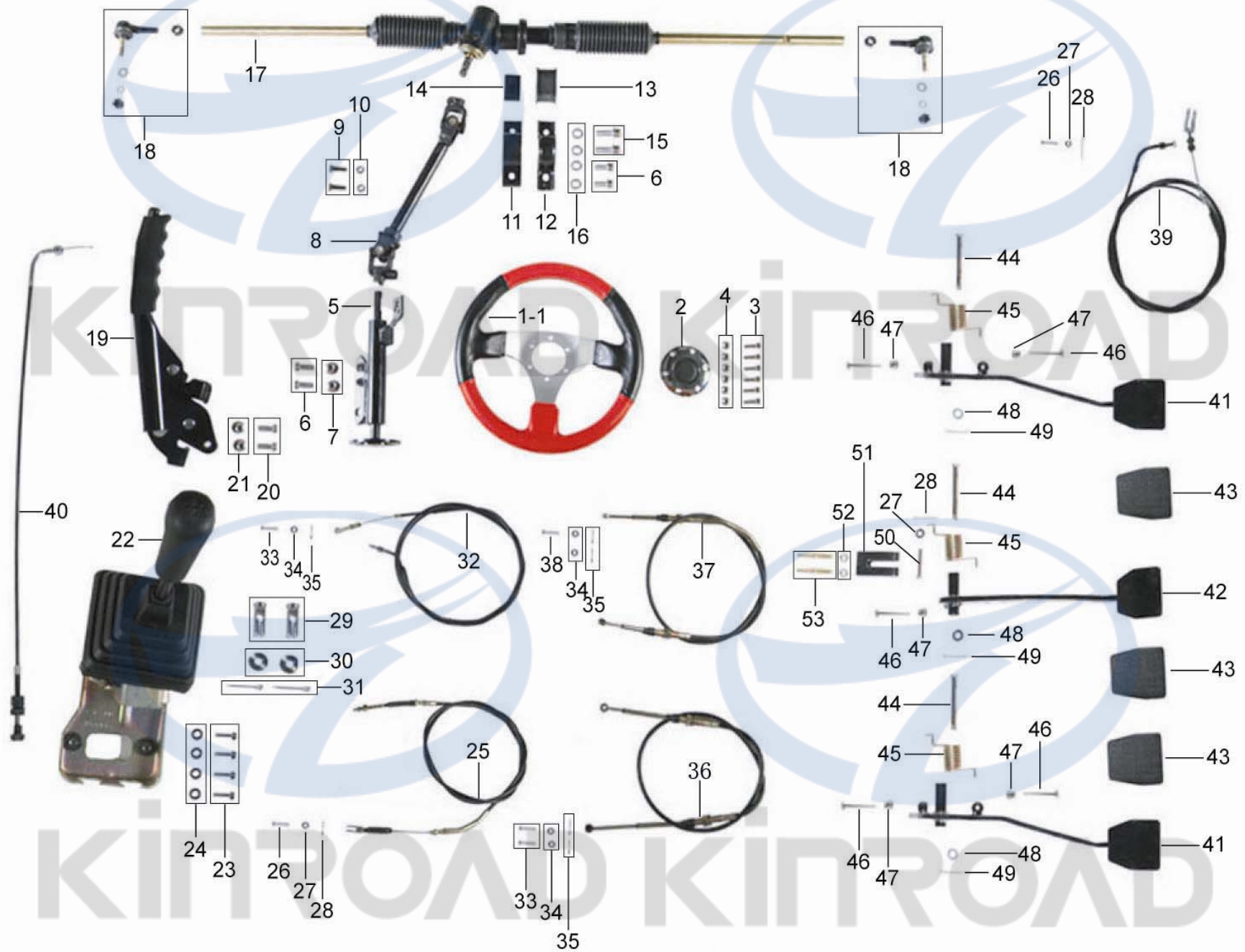
NO.	Part NO.	Description	Description in English	数量Qty	价格Price	备注Remark
1	KF00101000A-1	主车架	FRAME COMP.	1		
2	KH001250000	左底板	LEFT FOOT BOARD	1		
3	KH001260000	右底板	RIGHT FOOT BOARD	1		
4	KH001280000	右侧底板	RIGHT PLATE GUARD	1		
5	KH001270000	左侧底板	LEFT PLATE GUARD	1		
6	GB/T67-2000	十字大盘头螺钉M6×20	BOLT M6×20	16		
7	KM003440000	φ6橡胶垫	RUBBER WASHER (ø6)	16		
8	GB6187-86	六角法兰自锁螺母M6	NUT FLANGE M6	16		
9	KH001090000	后储物架组件	CARRIER COMP., REAR	1		
10	KH001100000	后货架板	COVER, CARRIER COMP., REAR	1		
11	GB5787-86	六角法兰螺栓M8×20	BOLT FLANGE M8×12	5		
12	GB6187-86	六角法兰自锁螺母M8	NUT FLANGE M8	5		
13	GB5787-86	六角法兰螺栓M8×40	BOLT FLANGE M8×40	8		
14	GB6187-86	六角法兰自锁螺母M8	NUT FLANGE M8	8		
15	KH001220000-1	后保险杠	REAR BUMPER BAR	1		
16	GB/T70-86	内六角螺栓M12×1.75×25	BOLT, HEX IN M12×1.75×25	4		
17	KM001720000	拖车挂钩	TOW BALL	1		
18	KM002060000	油箱	TANK, COMP. FUEL	1		
19	KM002060200	油箱盖	COVER, FUEL TANK	1		
20	KH001240000	油箱安装架	BRACKEY, TANK	1		
21	GB5787-86	六角法兰螺栓M10×45	BOLT FLANGE M10×45	2		
22	GB6187-86	六角法兰自锁螺母M10	NUT FLANGE M10	2		
23	KM00143001A	油箱压板	FUEL TANK STRAP	2		
24	GB6187-86	六角法兰自锁螺母M10	NUT FLANGE M10	4		
25	KM003420000	油箱橡胶条	FUEL TANK RUBBER STRAP	2		
26	KMM002090000	过滤器	FILTER	1		
27	KM001860050	油管卡簧φ12.5	CIRCLIP, FUEL TUBE φ12.5	4		
28	KM003210200	油管φ6×φ13, 长450	FUEL TUBE, 450	1		

NO.	Part NO.	Description	Description in English	数量Qty	价格Price	备注Remark
29	KM003210300	油管 $\phi 6 \times \phi 13$, 长300	FUEL TUBE, 300	1		
30	KM003430000	过滤器胶条, 长220	RUBBER , FILTER BRACKET	1		
31	KM00154001A	油滤器支架	FILTER BRACKET	1		
32	KM204270000	油位传感器	FUEL SENSOR	1		
33	GB5787-86	六角法兰螺栓M5 \times 16	BOLT FLANGE M5 \times 16	5		
34	GB95-85	平垫5	FLAT WASHER $\phi 5$	5		
35	KM003440000	$\phi 6$ 橡胶垫	RUBBER WASHER ($\phi 6$)	5		

KINROAD KINROAD

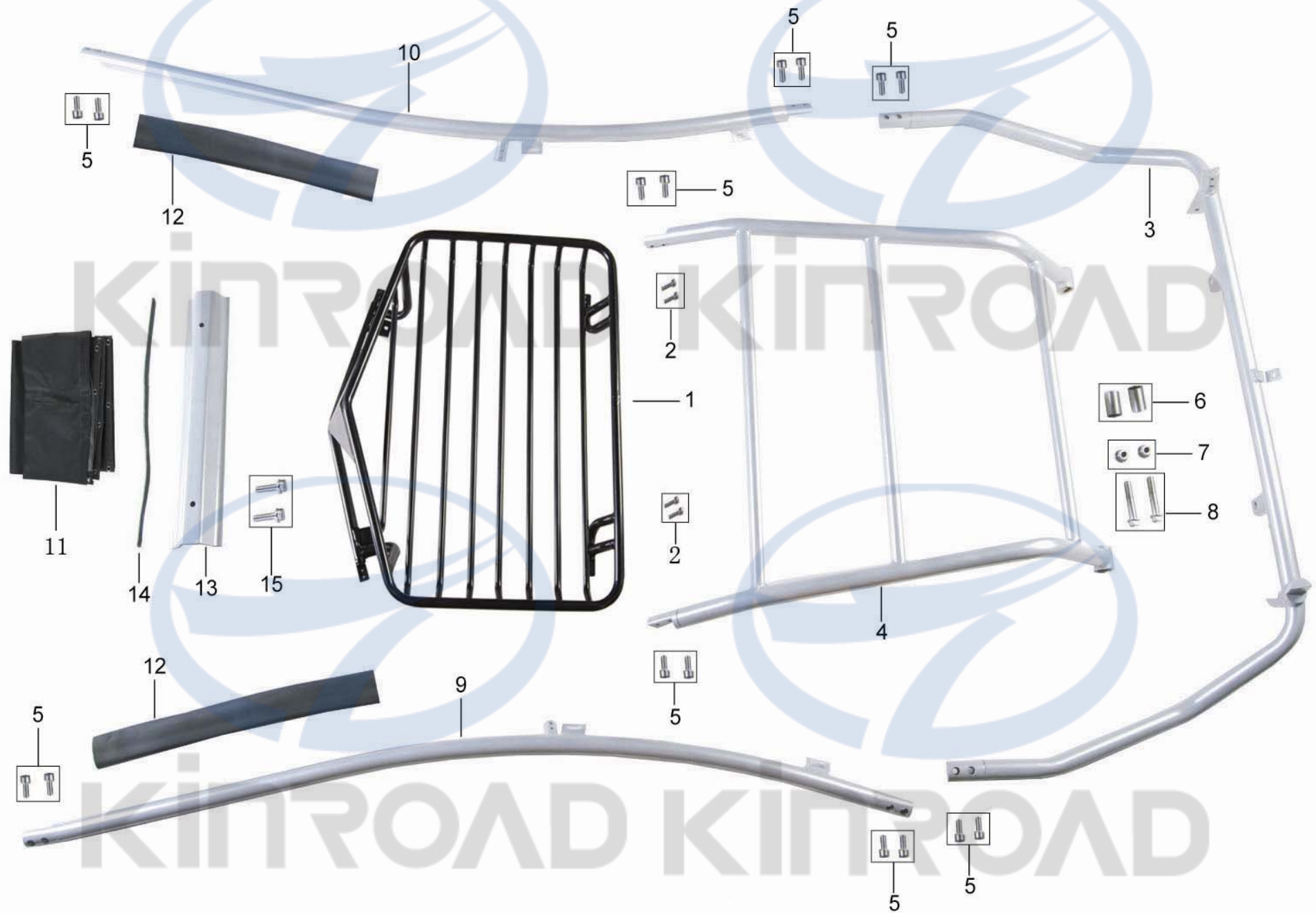



KINROAD KINROAD



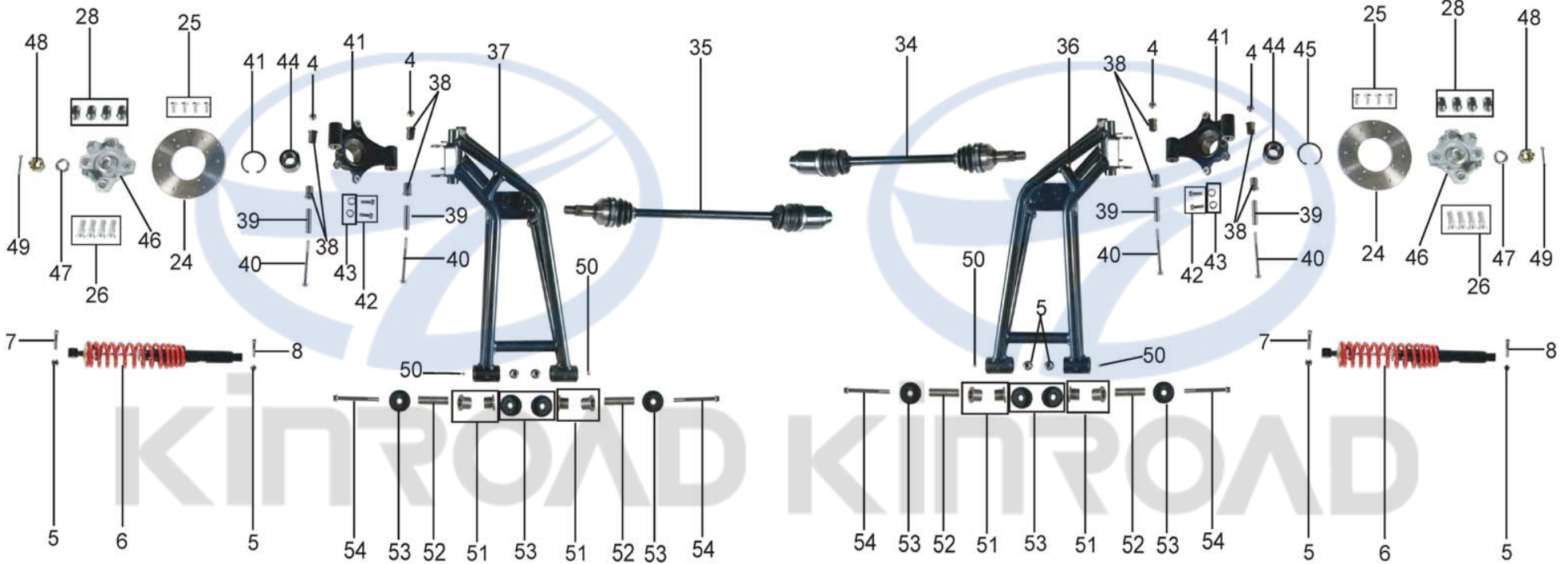
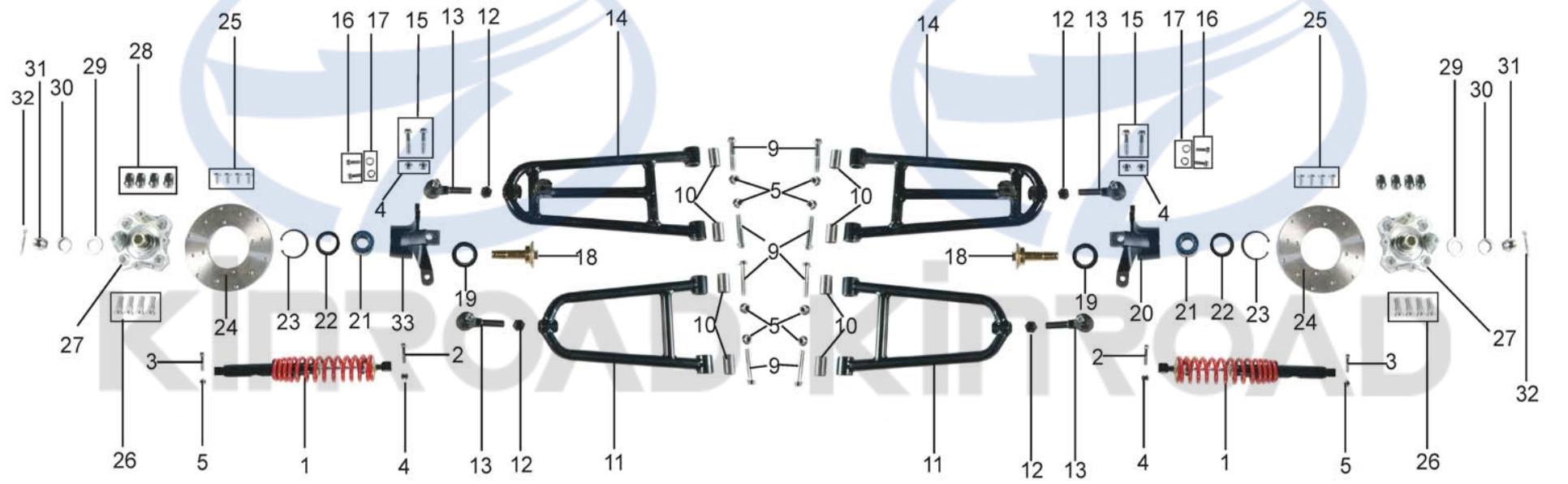
NO.	Part NO.	Description	Description in English	数量Qty	价格Price	备注Remark
1	KB003310000	方向盘	STEERING COMP.	1		
2	KB003020000	边向器螺栓盖	STEERING COVER	1		
3	GB/T70-86	内六角螺钉M6×20	BOLT, HEX IN M6×20	6		
4	GB6187-86	六角法兰自锁螺母M6	NUT FLANGE M6	6		
5	KM00601011A	边向轴	STEERING SHAFT	1		
6	GB5787-86	六角法兰螺栓M10×25	BOLT FLANGE M10×25	4		
7	GB6187-86	六角法兰自锁螺母M10	NUT FLANGE M10	2		
8	KM00601061A	转向关节轴	SEEERING KNUCKLE	1		
9	GB5787-86	六角法兰螺栓M8×25	BOLT FLANGE M8×25	2		
10	GB/T93-87	弹垫8	WASHER , SPRNG ø8	2		
11	KH001120000	变向器固定板1	BRACKET1, STEERING GEAR	1		
12	KM00153001A	变向器固定板	BRACKET, STEERING GEAR	1		
13	KM003400000	方向器橡胶块1	RUBBER, STEERING GEAR1	1		
14	KH001230000	变向器固定板压块	CUSHION, STEERING GEAR	1		
15	GB5787-86	六角法兰螺栓M10×30	BOLT FLANGE M10×30	2		
16	GB/T93-87	弹垫10	SPRNG WASHER , ø10	4		
17	KM00601031A	变向箱	STEERING GEAR	1		
18	KM006010830	连接杆球头	ROD END	2		
19	KM00147001A	手刹手柄	HANDLE BAR, BRAKE	1		
20	GB5787-86	六角法兰螺栓M8×16	BOLT FLANGE M8×16	4		
21	GB6187-86	六角法兰自锁螺母M8	NUT FLANGE M8	2		
22	KM00146001A	换档手柄	HANDLE BAR, REVERSE	1		
23	GB5787-86	六角法兰螺栓M6×25	BOLT FLANGE M6×25	4		
24	GB6187-86	六角法兰自锁螺母M6	NUT FLANGE M6	4		
25	KH006260000	离合线	CABLE, CLUTCH	1		
26	GB/T882-86	B型销轴 (带孔Φ2) 6×16	PIN 6×16 (HOLE Φ2)	2		
27	GB/T97-87	小平垫6, 镀铬	WASHER 6	5		
28	GB/T91-86	开口销1.6×25、镀铬	SPLIT PIN 1.6×25	5		

NO.	Part NO.	Description	Description in English	数量Qty	价格Price	备注Remark
29	GB/T119.1-86	离合线销轴, 镀铬	PIN, CLUTCH CABLE	2		
30	GB/T97-87	小平垫Φ16, 镀铬	WASHER 16	2		
31	GB/T91-86	开口销2.5×25	SPLIT PIN 2.5×25	2		
32	KH006210000	手刹线	PARK BRAKE CABLE	2		
33	GB/T882-86	B型销轴 (带孔Φ4) 8×35	PIN 8×35 (HOLE Φ4)	3		
34	GB/T96-87	平垫8	FLAT WASHER ø8	4		
35	GB/T91-86	开口销2.5×25	SPLIT PIN 2.5×25	4		
36	KM006230000	换挡线1	CABLE COMP. REVERSE 1	1		
37	KH006240000	换挡线2	CABLE COMP. REVERSE 2	1		
38	GB/T882-86	B型销轴 (带孔Φ4) 8×24、	PIN 8×24	1		
39	KH006220000	油门线	CABLE , THROTTLE	1		
40	KH006250000A	风门线	CHOKE CABLE	1		
41	KH001140000	离合器、节气门踏板组件	PEDAL COMP. , THROTTLE	2		
42	KH001130000	刹车踏板组件	PEDAL COMP. , BRAKE	1		
43	KM003470000	脚踏皮	PEDAL RUBBER COVER	3		
44	GB/T882-86	B型销轴 (带孔Φ4) 8×75	PIN 8×75 (HOLE Φ4)	3		
45	KN001810030	踏杆扭簧	SPRING, RETURNING PEDAL	3		
46	GB5787-86	六角法兰螺栓6×65、镀铬	BOLT M6×65	5		
47	GB6170-86	六角螺母M6、镀铬	NUT M6	5		
48	GB/T96-87	平垫8	FLAT WASHER ø8	3		
49	GB/T91-86	开口销2.5×25	SPLIT PIN 3.2×32	3		
50	GB/T882-86	B型销轴 (带孔Φ2) 6×40	PIN 6×40 (HOLE Φ2)	1		
51	KH005310001	主压杆座	MASTER CYLINDER ROD BLOCK	1		
52	KH005310002	主压杆	MASTER CYLINDER ROD	2		
53	GB/T41-2000	六角螺母M8、镀铬	NUT M8	2		



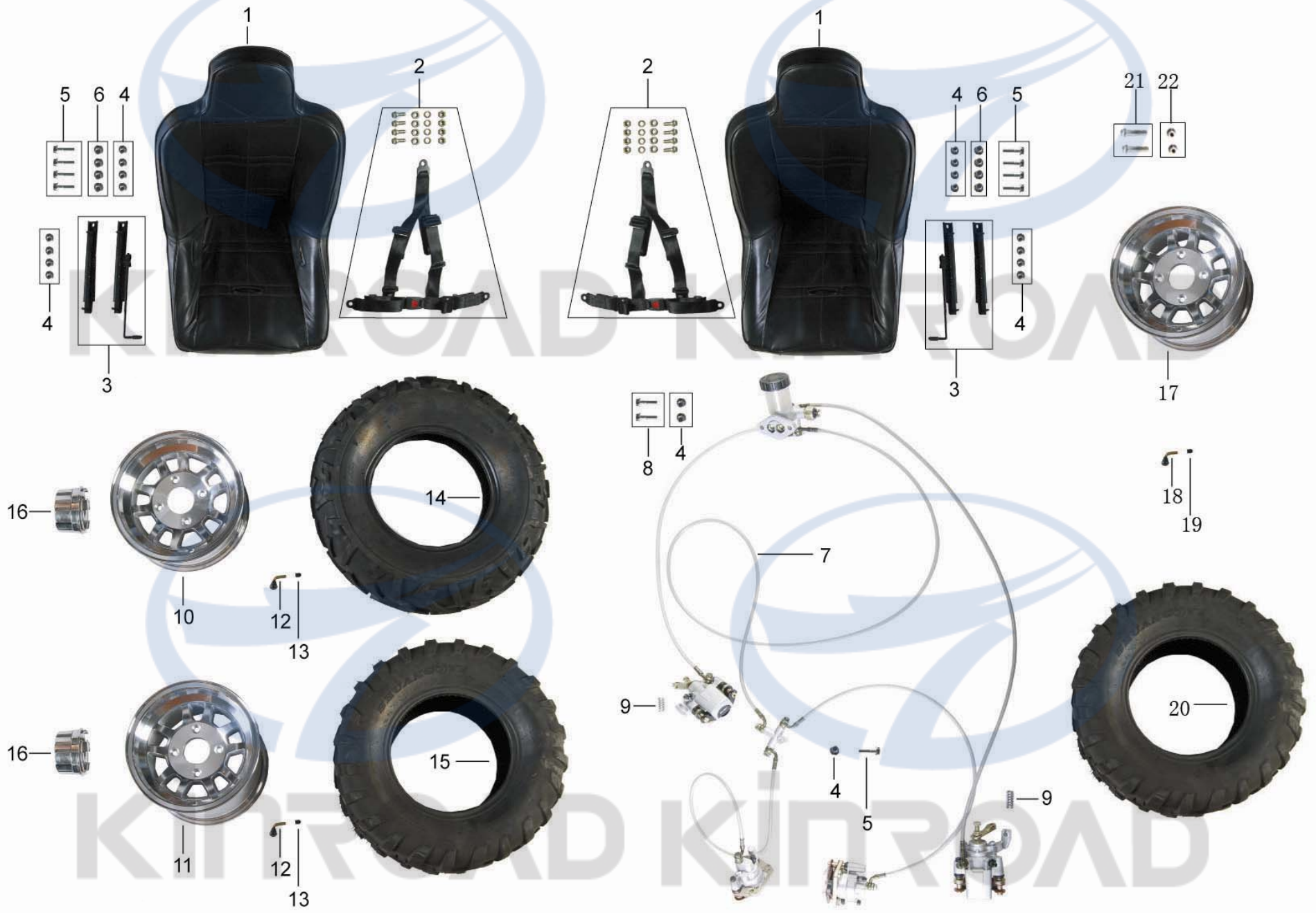
NO.	Part NO.	Description	Description in English	数量Qty	价格Price	备注Remark
1	KH001290000-1	大货架	CARRIER COMP.	1		
2	GB/T70-86	内六角螺栓M6×25	BOLT, HEX IN M6×25	4		
3	KH001050000	保险杠连接架	BRUSH GUARD BAR, CENTER	1		
4	KH001060000-1	后保险杠连接架	REAR BRUSH GUARD BAR ,MAIN	1		
5	GB/T70-86	内六角螺栓M8×20	BOLT, HEX IN M8×20	16		
6	KM003390000	悬挂臂缓冲套（借用650）	SHEET BUSH, SWING ARM	2		
7	GB6187-86	六角法兰自锁螺母M12	NUT FLANGE M12	2		
8	GB5787-86	六角法兰螺栓M12×1.25×70	BOLT FLANGE M12×70	2		
9	KH001030000-1	左主保险杠架	LEFT BRUSH GUARD BAR , MAIN	1		
10	KH001020000-1	右主保险杠架	RIGHT BRUSH GUARD BAR , MAIN	1		
11	KH202090000	顶棚、护套	TOP AND GUARD BAR FABRIC	1		
12	KM008050000	保温管	FOAM COVER	2		
13	KH001290000	挡线板	COVER, WIRE	1		
14	KM003470000	挡线板胶条	RUBBER COVER, WIRE	1		
15	GB5787-86	六角法兰螺栓M8×20	BOLT FLANGE M8×20	1		

KINROAD KINROAD

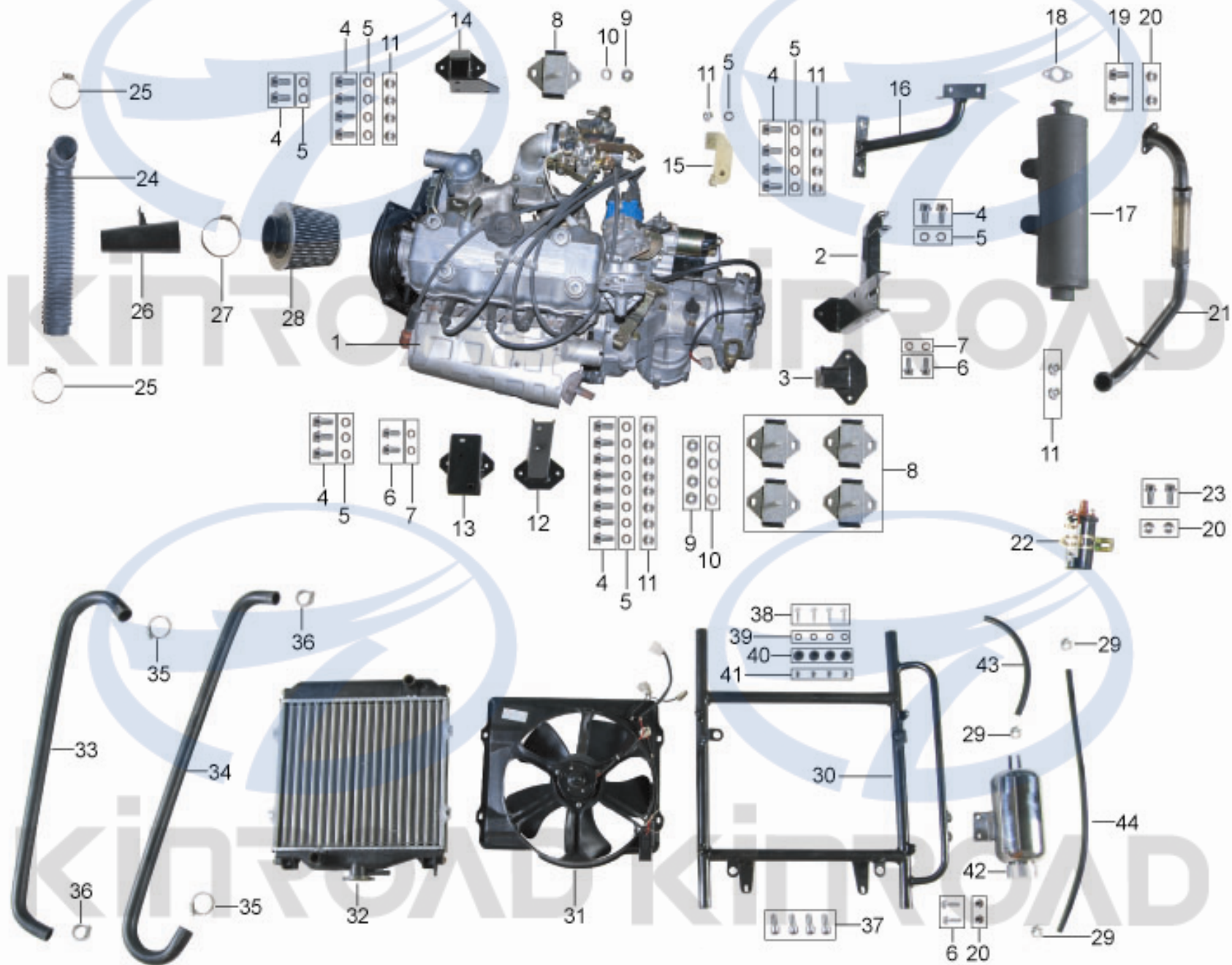


NO.	Part NO.	Description	Description in English	数量Qty	价格Price	备注Remark
1	KH006310000	前减震器	ABSORBER ASSY. FR.	2		
2	GB5787-86	六角法兰螺栓M12×50	BOLT FLANGE M12×55	2		
3	GB5787-86	六角法兰螺栓M10×50	BOLT FLANGE M10×50	2		
4	GB6187-86	六角法兰自锁螺母M10	NUT FLANGE M10	14		
5	GB6187-86	六角法兰自锁螺母M12	NUT FLANGE M12	18		
6	KH006320000	后减震器	ABSORBER ASSY. RR.	2		
7	GB5787-86	六角法兰螺栓M12×50	BOLT FLANGE M12×55	2		
8	GB5787-86	六角法兰螺栓M12×55	BOLT FLANGE M12×55	2		
9	GB5787-86	六角法兰螺栓M12×70	BOLT FLANGE M12×70	8		
10	KM003390000	悬挂臂缓冲套	SHEET BUSH, SWING ARM	8		
11	KM00117001A	前上悬挂臂总成	SUSPENSION ARM COMP, UPPER	2		
12	GB6170-86	六角螺母M16×1.5	NUTM16×1.5	4		
13	KM001710000	球接总成	ROD END	4		
14	KM00118001A	前下悬挂臂总成	SUSPENSION ARM COMP, LOWER	2		
15	GB5787-86	六角法兰螺栓M10×45	BOLT FLANGEM10×45	4		
16	GB5787-86	六角法兰螺栓M8×25	BOLT FLANGE M8×25	4		
17	GB/T93-87	弹垫8	WASHER ,SPRTNG ø8	4		
18	KM005100030	前轮轴	AXLE, FRONT	2		
19	KM005420000	油封40×58-8.5	DUST SEAL 40×58-8.5	2		
20	KM00506001A	右前轮毂	STUB AXLE, R	1		
21	KM005520000	轴承FWD305530	BEARING FWD305530	2		
22	KM005410000	油封40×55-6	DUST SEAL 40×55-6	2		
23	GB/T 893.1-86	孔用弹性挡圈55	HOLE SPACER, ELASTIC 55	2		
24	KM005310100	碟刹盘	DISC, BRAKE	4		
25	GB5780-86	六角螺栓M8×20	BOLT M8×20	16		
26	KM005070090	M12辐板轮螺栓, 镀铬	RIM BOLT M12×1.5	16		
27	KM005070040	前碟刹盘座	FRONT HUB	2		
28	GB/T923-88	盖形螺母M12	WHEEL NUT M12	16		

NO.	Part NO.	Description	Description in English	数量Qty	价格Price	备注Remark
29	GB95-85	平垫18	FLAT WASHER 18	8		
30	GB/T93-87	弹垫18	WASHER ,SPRTNG ø18	8		
31	GB/T9457-1988	六角开槽螺母M18×1.5	NUT-CASTLE M18×1.5, FRONT AXLE	2		
32	GB/T 91-2000	开口销3.2×40	SPLIT PIN 3.2×40	2		
33	KM00505001A	左前轮毂	STUB AXLE, L	1		
34	KH00512001A	左半轴	LEFT PROPELLER SHAFT	1		
35	KH00512001A	左半轴	LEFT PROPELLER SHAFT	1		
36	KH001070001-1	后左独立摇臂总成	LOWER SUSPENSION, RB	1		
37	KH001070002-1	后右独立摇臂总成	LOWER SUSPENSION, RB	1		
38	KM101025000	后轮毂衬套	BUSH, SHAFT CARRIER	8		
39	KM001008000	后摆臂套筒内心管	SPACER, SHAFT CARRIER	4		
40	GB5787-86	六角法兰螺栓M10×85	BOLT FLANGE M10×85	4		
41	KM00508001A	后轮毂	SHAFT CARRIER	2		
42	GB5787-86	六角法兰螺栓M8×25	BOLT FLANGE M8×25	4		
43	GB/T93-87	弹垫8	WASHER ,SPRTNG ø8	4		
44	KM005510000	轴承DAC3055W	BEARINGDAC3055W	2		
45	GB/T 893.1-86	孔用弹性挡圈55	HOLE SPACER, ELASTIC 55	2		
46	KM005090040	后碟刹盘座	REAR HUB	2		
47	GB95-85	六角开槽螺母M24×1.5	NUT-CASTLE M24×1.5, FRONT AXLE	2		
48	GB/T93-87	弹垫24	WASHER ,SPRTNG ø24	2		
49	GB/T9457-1988	开口销3.8×40	SPLIT PIN 3.8×40	2		
50	KA001690030	油嘴	BLOWHOLE	2		
51	KN001009000	悬臂安装内衬套	POWDERED SPACER SLEEVE	8		
52	KH001002000	后独立摇架套筒心管	SPACER SLEEVE	4		
53	KN003470000	悬挂挡圈	SEAL Ø54	8		
54	GB5787-86	六角法兰螺栓M12×105	BOLT FLANGE M12×105	4		



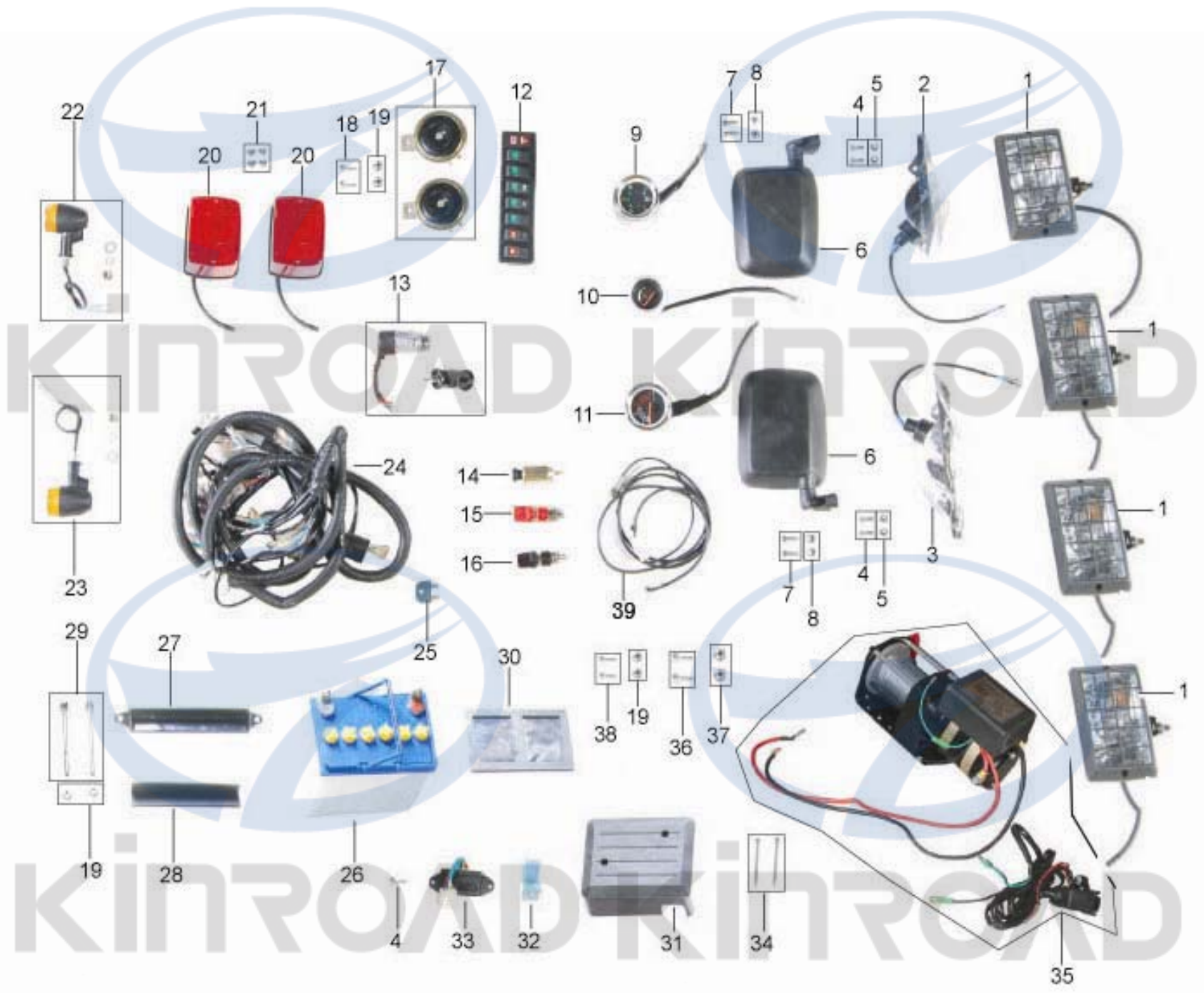
NO.	Part NO.	Description	Description in English	数量Qty	价格Price	备注Remark
1	KM007010000	座垫总成	SEAT	2		
2	KA007080000	五点式安全带	BELT, SAFETY	2		
3	KM20705001A	划轨	SEAT RAIL SET	4		
4	GB6187-86	六角法兰自锁螺母M8	NUT FLANGE M8	19		
5	GB5787-86	六角法兰螺栓M8×40	BOLT FLANGE M8×40	9		
6	GB6187-86	六角法兰自锁螺母M10	NUT FLANGE M10	8		
7	KM005310300	主气缸组件	CYLINDER ASSY, MASTER	1		
8	GB5787-86	六角法兰螺栓M8×30	BOLT FLANGE M8×30	2		
9	KN001810090	手刹压簧	SPRING FOR BRAKE HANDLE	2		
10	KM005010000	前辐板轮12×6	RIM, FR. 12×6	4		
11	KM005020000	后辐板轮12×8	RIM, FR. 12×8	2		
12	KM005030200	气门嘴帽	CAP, TIRE INTAKE	2		
13	KM005030100	气门嘴	INTAKE, TIRE	4		
14	KM005030000-1	真空胎25×8-12	TIRE, FR 25×8-12	2		
15	KM005040000-1	真空胎25×10-12	TIRE, FR 25×10-12	2		
16	KM005020000-1	副板轮螺栓盖	RIM decorative cap	4		
17	KM005020000	后辐板轮12×8	RIM, FR. 12×8(选配、备用轮胎)	1		
18	KM005030200	气门嘴帽	CAP, TIRE INTAKE(选配、备用轮胎)	1		
19	KM005030100	气门嘴	INTAKE, TIRE(选配、备用轮胎)	1		
20	KM005040000-1	真空胎25×10-12	TIRE, FR 25×10-12(选配、备用轮胎)	1		
21	GB5787-86	六角法兰螺栓M12×45	BOLT FLANGE M12×45(选配、备用轮胎)	2		
22	GB6187-86	六角法兰自锁螺母M12	NUT FLANGE M12(选配、备用轮胎)	2		



NO.	Part NO.	Description	Description in English	数量Qty	价格Price	备注Remark
1	KN00201000A-1	发动机	ENGINE ASSY	1		
2	KF001180000	发动机侧安装支架座1	ENGINE MOUNT, LEFT1	1		
3	KF001190000	发动机侧安装支架座2	ENGINE MOUNT, LEFT2	1		
4	GB5787-86	六角法兰螺栓M10×25	BOLT FLANGE M10×25	22		
5	GB/T93-87	弹垫10	WASHER ,SPRTNG ø10	23		
6	GB5787-86	六角法兰螺栓M8×20	BOLT FLANGE M8×20	6		
7	GB/T93-87	弹垫8	WASHER ,SPRTNG ø8	4		
8	KM003460000	发动机缓冲垫2 (大)	ENGINE RUBBER BUMPER2	5		
9	GB6170-86	六角螺母M12×1.75	NUT M12×1.75	5		
10	GB/T96-85	平垫12	FLAT WASHER ø12	5		
11	GB6187-86	六角法兰自锁螺母M10	NUT FLANGE M10	17		
12	KN00136001A-1	发动机前安装支架座2	ENGINE MOUNT, FRONT2	1		
13	KN00136001A	发动机前安装支架座1	ENGINE MOUNT, FRONT1	1		
14	KN00137001A	发动机后安装支架座	ENGINE MOUNT, REAR	1		
15	KM00145001A	换档支架	REVERSE, BRACKET	1		
16	KH001200000	排气管安装支架	MUFFER BRACKET	1		
17	KM202040000	排气消声器总成	MUFFLER COMP. ,EX	1		
18	KM002040100	排气消声器密封垫1	EXHAUST GASKET TO HEAD1	1		
19	GB5787-86	六角法兰螺栓M8×25	BOLT FLANGE M8×25	6		
20	GB6187-86	六角法兰自锁螺母M8	NUT FLANGE M8	8		
21	KN202040100-1	消声器弯管	FRONT EXHAUST PIPE	1		
22	KM202050000	高压包	COIL COMP. IGNITION	1		
23	GB5787-86	六角法兰螺栓M8×16	BOLT FLANGE M8×16	2		
24	KM202030200A	空滤器连接管	FLEXIBLE HOSE	1		
25	KM202030100	空滤器卡箍	FLEXIBLE HOSE CLAMP	2		
26	KH001210000A	空滤器支架	AIR CLEANR BRACKET	1		
27	KM202030100A	空滤器大卡箍	FLEXIBLE HOSE CLAMP	1		
28	KM202030000A	空滤器	AIR CLEANR ASSY.	1		

NO.	Part NO.	Description	Description in English	数量Qty	价格Price	备注Remark
29	KM001860050	油管卡簧 φ12.5	CIRCLIP, FUEL TUBE φ12.5	3		
30	KH001080000	水箱支架	BRACKET, RADIATOR	1		
31	KM202100000	风扇	FAN	1		
32	KM202090000	水箱	RADIATOR	1		
33	KH202070000	出水管	WATER OUTLET HOSE, ENGINE	1		
34	KH202080000	回水管	WATER INLET HOSE, ENGINE	1		
35	KM001870050	卡箍21-44	CIRCLIP 21-44	2		
36	KB004340000	卡箍21-38	CIRCLIP21-38	2		
37	GB/T70-86	内六角螺栓M12×1.75×25	BOLT, HEX IN M12×1.75×25	4		
38	GB5787-86	六角法兰螺栓M6×25	BOLT FLANGE M6×25	4		
39	17519-BCA0-0000-0C	油箱安装衬套	COLLAR, INNER	4		
40	KA003370000	油箱橡胶圈	RUBBER RING	4		
41	GB6187-86	六角法兰自锁螺母M6	NUT FLANGE M6	4		
42	KH004210000	副水箱	WATER TANK, SUBSIDIARY	1		
43	KM003210600	副水箱通水管 I	OVERFLOW BOTTLE HOSE I	1		
44	KM003210700	副水箱通水管II	OVERFLOW BOTTLE HOSEII	1		

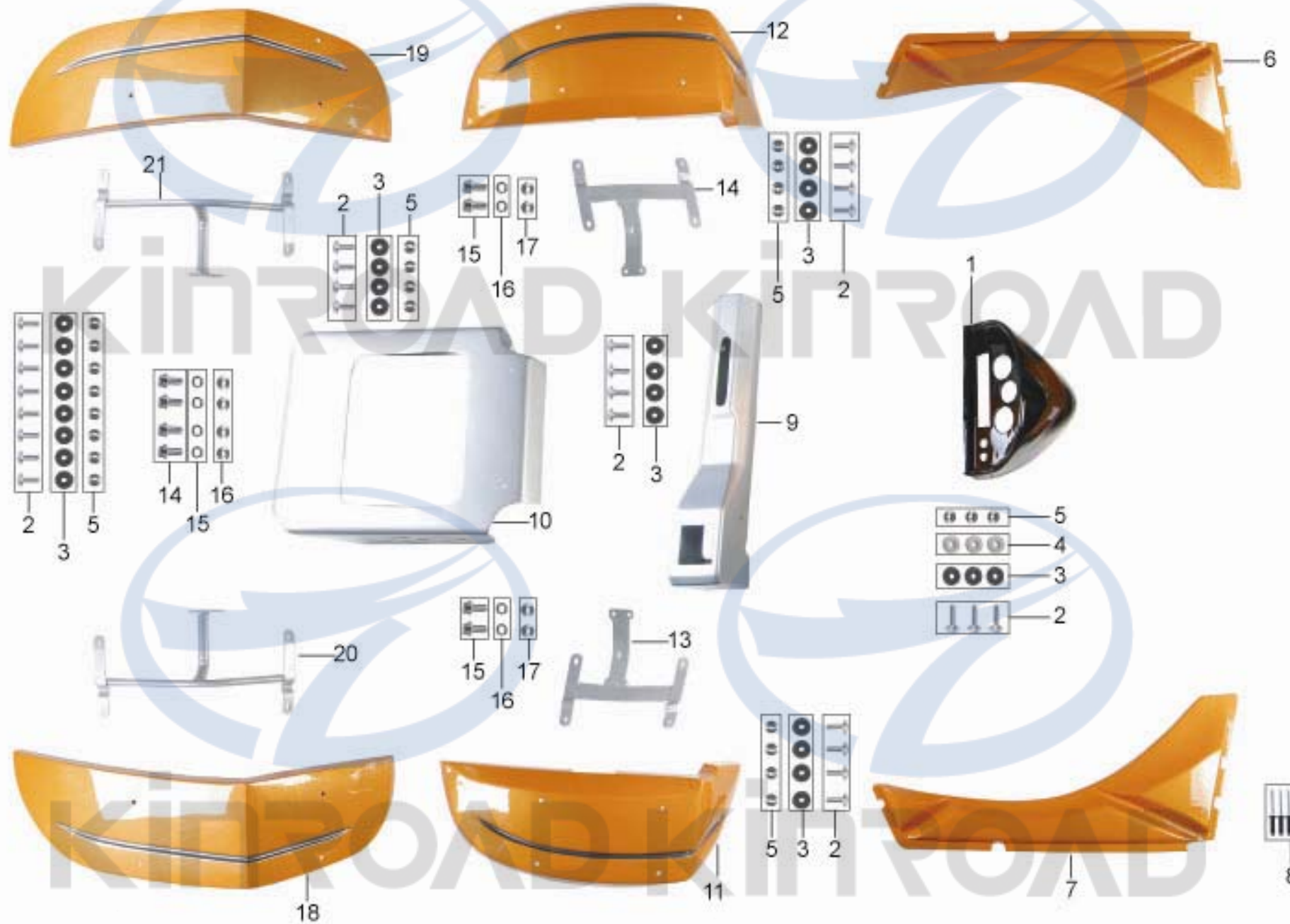
KINROAD KINROAD



NO.	Part NO.	Description	Description in English	数量Qty	价格Price	备注Remark
1	KH004030000-1	前照灯	HEAD LAMP	4		
2	KH004040001-1	左前转向灯	FORWARD LEFT TURNING LIGHT	1		
3	KH004050002-1	右前转向灯	FORWARD RIGHT TURNING LIGHT	1		
4	GB5787-86	六角法兰螺栓M6×16	BOLT FLANGE M6×16	4		
5	GB6187-86	六角法兰自锁螺母M6	NUT FLANGE M6	4		
6	KH004070000-1	左\右后视镜	RIGHT REARVIEW MIRROR	1		
7	GB/T70-86	内六角螺栓M6×16, 镀铬	BOLT, HEX IN M6×16	4		
8	GB6187-86	六角法兰自锁螺母M6	NUT FLANGE M6	4		
9	KM204210000	灯光指示表	SIGNAL INDICATOR	1		
10	KM204260000	油位表	FUEL METER	1		
11	KM004150100	速度表	SPEEDOMETER	1		
12	KH004010000	组合开关	INTERGRATED SWITCH ASSY.	1		
13	KA0A4010000	点火锁	IGNITION SWITCH	1		
14	KB004060000	点烟器	"U" OUTPUT PLUG	1		
15	KN004150000	正极接线柱	EXPRESS CONNECTION-PEG "+"	1		
16	KN004160000	负极接线柱	EXPRESS CONNECTION-PEG "-"	1		
17	KC204180000-1	喇叭	HORN	2		
18	GB5787-86	六角法兰螺栓M8×16	BOLT FLANGE M8×16	1		
19	GB6187-86	六角法兰自锁螺母M8	NUT FLANGE M8	6		
20	KM204110000	后尾灯	TAIL LAMP ASSY.	2		
21	GB6187-86	六角法兰自锁螺母M6	NUT FLANGE M6	4		
22	KA204160200-1	后左转向灯	BEHIND LEFT TURNING LIGHT	1		
23	KA204170200-1	后右转向灯	BEHIND RIGHT TURNING LIGHT	1		
24	KM004070000-1	主电缆	MAIN WIRE HARNESS	1		
25	KA204290000	二极管	DIODE	1		
26	KM004070000	蓄电池	BATTERY	1		
27	KM00140001A	电瓶压板	PRESSURE PLATE, BATTERY	1		
28	KM003380000	蓄电池盖垫	RUBBER BATTERY	1		

NO.	Part NO.	Description	Description in English	数量Qty	价格Price	备注Remark
29	GB6187-86	六角法兰螺栓 M8×98	BOLT FLANGE M8×98	2		
30	KM003360000	蓄电池垫	CUSHION, BATTERY	1		
31	KB003010000	电器盒	WIRING BOX	1		
32	KM204280000-1	闪光灯	FLASH INSTRUMENT	1		
33	KM004040000	调压整流器	RECTIFIER COMP, REGULATE	1		
34	GB/T818-85	十字盘头螺钉M6×75	BOLT M6×75	2		
35	KM204300000	牵引机	WINCH	1	可选	
36	GB6187-86	六角法兰螺栓 M10×25	BOLT FLANGE M10×25	2		
37	GB6187-86	六角法兰自锁螺母M10	NUT FLANGE M10	2		
38	GB6187-86	六角法兰螺栓 M8×20	BOLT FLANGE M8×20	2		
39	KM004150200	屏蔽线	SPEED SENSOR CABLE	1		





NO.	Part NO.	Description	Description in English	数量Qty	价格Price	备注Remark
1	KH003010000	仪表面板	METER AND SWITCH BUTTON COVER	1		
2	GB/T818-86	十字大盘头螺钉M6×20	BOLT M10×20	31		
3	KM003440000	φ6橡胶垫	RUBBER WASHER (ø6)	31		
4	GB/T97.1-86	小平垫6	WASHER 6	3		
5	GB6187-86	六角法兰自锁螺母M6	NUT FLANGE M6	25		
6	KH003090001	左护板	BAFFLE OF LEFT SEAT	1		
7	KH003090002	右护板	BAFFLE OF RIGHT SEAT	1		
8	GB/T876-86	铆钉 3×10	RIVET 3×10	6		
9	KH003050000	手柄罩	BAFFLE OF SHIFTER ASSY.	1		
10	KH003060000	水箱罩	COVER, RADIATOR	1		
11	KH003070002	前右挡泥板	FRONT FENDER, R	1		
12	KH003070001	前左挡泥板	FRONT FENDER, L	1		
13	KH001160001	前右挡泥板支架	BRACKET, FRONT FENDER, R	1		
14	KH001160002	前左挡泥板支架	BRACKET, FRONT FENDER, L	1		
15	GB5787-86	六角法兰螺栓M10×25	BOLT FLANGE M10×25	8		
16	GB/T93-87	弹垫10	WASHER , SPRNG ø10	8		
17	GB6187-86	六角法兰自锁螺母M10	NUT FLANGE M10	8		
18	KH003080002	后右挡泥板	REAR FENDER, R	1		
19	KH003080001	后左挡泥板	REAR FENDER, L	1		
20	KH001170001	后右挡泥板支架	BRACKET, FRONT FENDER, R	1		
21	KH001170002	后左挡泥板支架	BRACKET, FRONT FENDER, L	1		

KINROAD KINROAD